

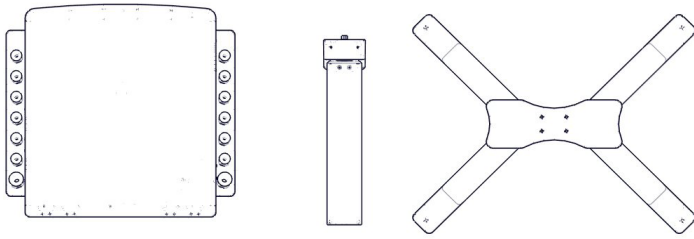


Accessible | Affordable | Functional

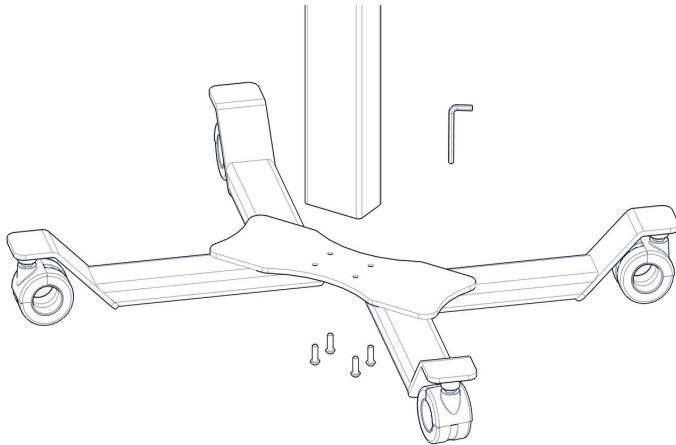


LapAR
Pro

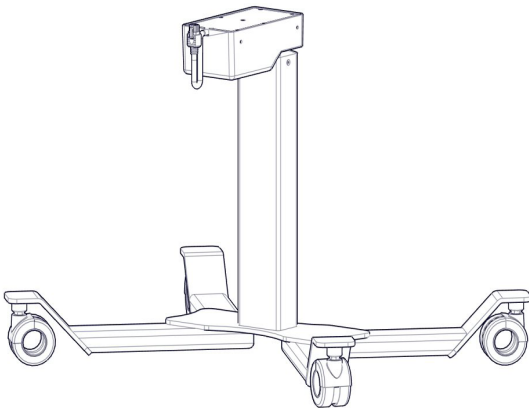
Setup Manual



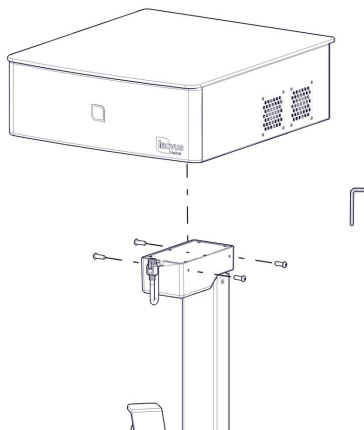
- 1 | When opening your simulator it is recommended that you unpack all package contents and arrange them before starting construction.



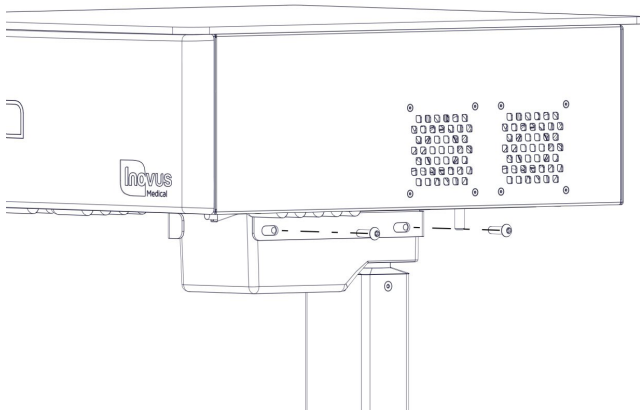
- 2 | Start the assembly of your LapAR Pro sim station by screwing the 4x bolts into the underside of the base. You can do this using the allen key provided.



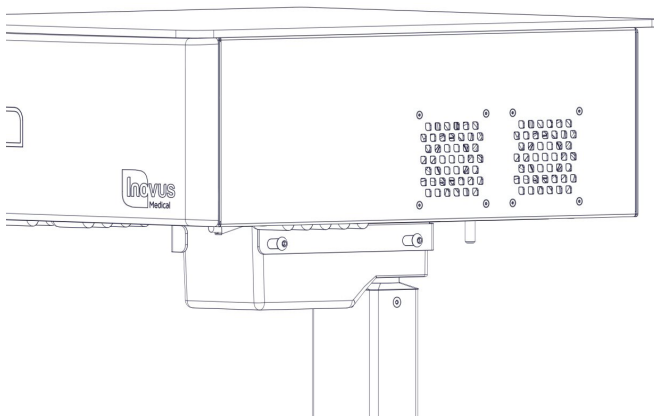
- 3 | Now that the base is attached to the main column you are ready to attach the top box.



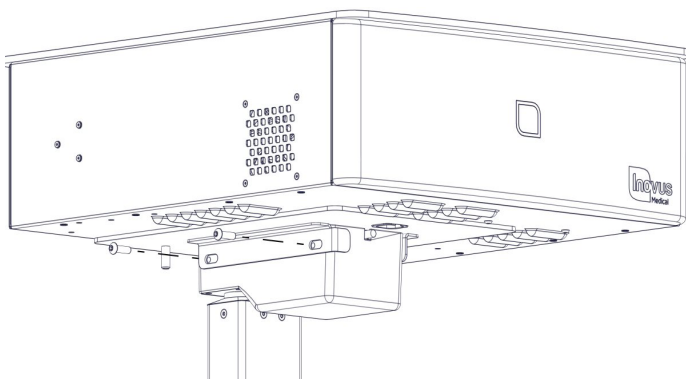
- 4 | Locate the 4x bolts provided to attach the top box.



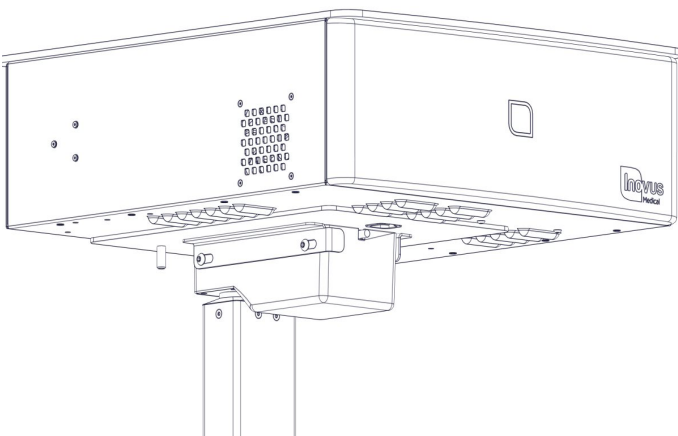
- 5 | Insert two bolts into the side of the LapAR Pro sim station main column and top box, screwing in place with the allen key provided.



- 6 | Ensure the bolts are finger tightened initially whilst you move onto the next step.

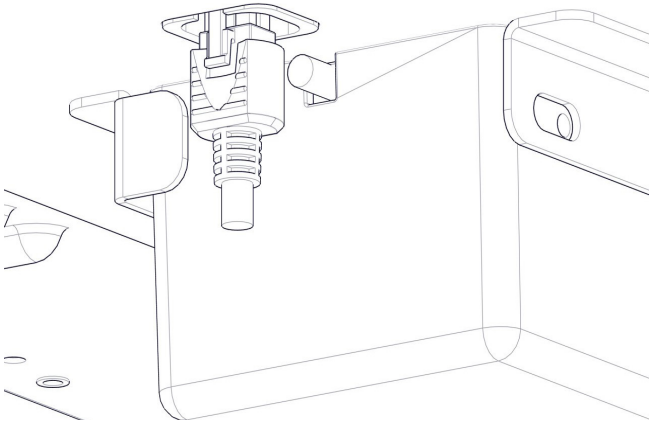


- 7 | Repeat this process on the other side of the LapAR Pro sim station.

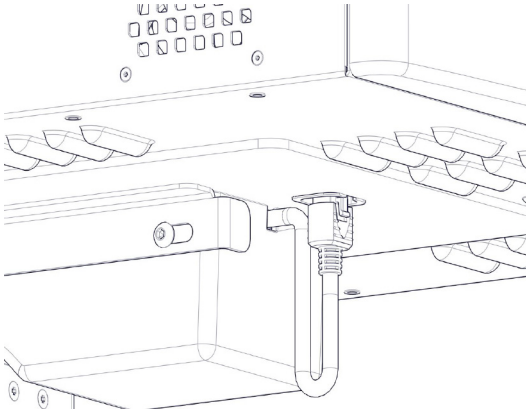


- 8 | Tighten all screws with allen key provided. The top box of the sim station should now be securely attached to the main column.

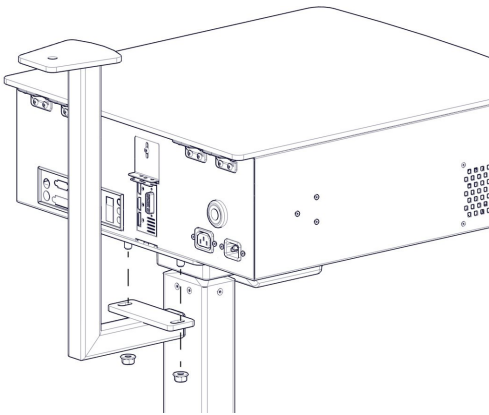
- 9 | Locate the main column lead on the underside of the LapAR Pro sim station box.



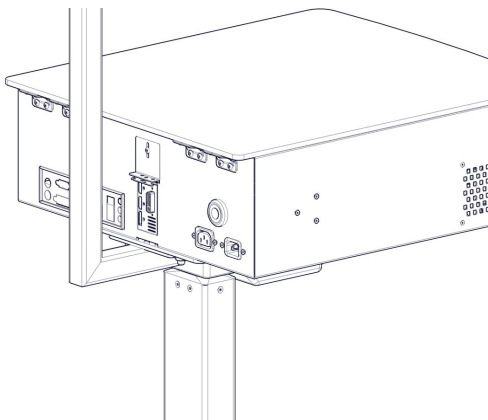
- 10 | Secure the lead in place with the connector as shown.

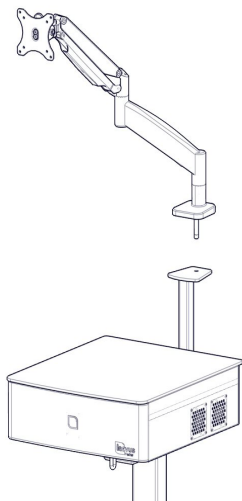


- 11 | Taking the Z-shaped monitor bracket, attach to the underside of the top box of the LapAR Pro sim station using the 2x nuts provided.

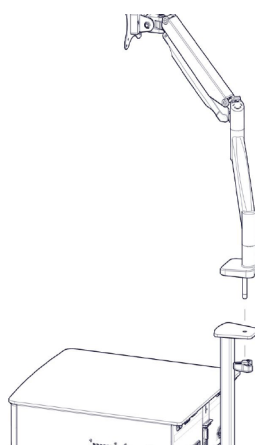


- 12 | Tighten the nuts to ensure the bracket is secured in place.

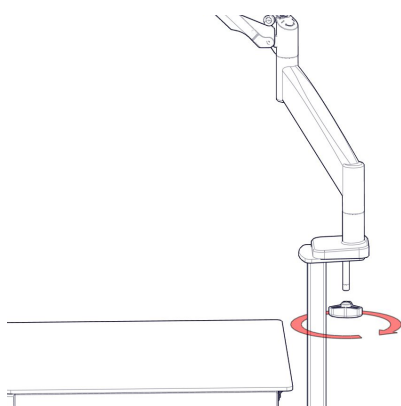




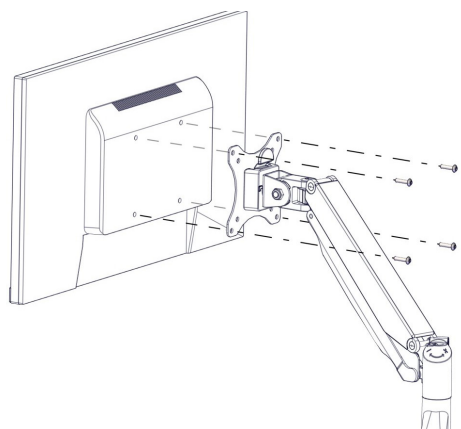
- 13 | Locate the angled screen bracket arm. (There are further instructions included with the screen arm should you require them).



- 14 | Insert the bolt on the base of the screen stand into the hole on the top of the Z-shaped bracket now attached to the LapAR Pro sim station box.

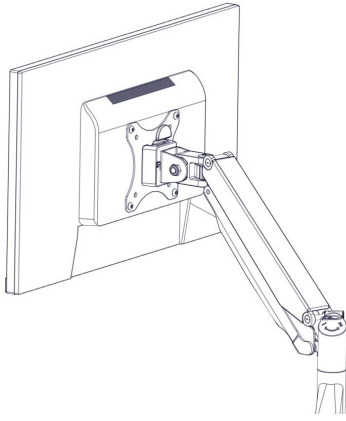


- 15 | Locate the handle and tighten onto the underside of the bolt as indicated ensuring it is fully tightened.

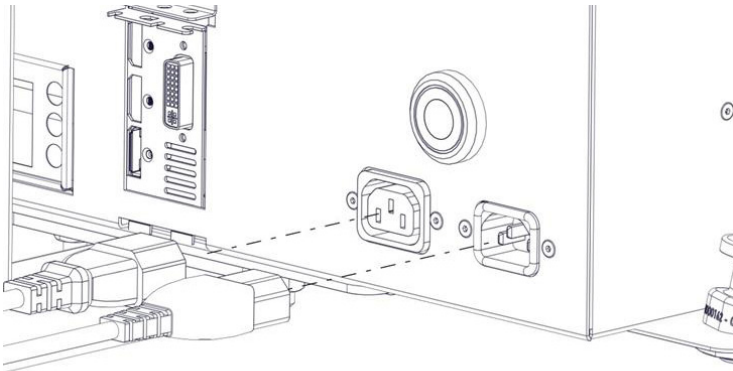


- 16 | Locate 4x bolts and thread through the bracket and into the back of the screen.

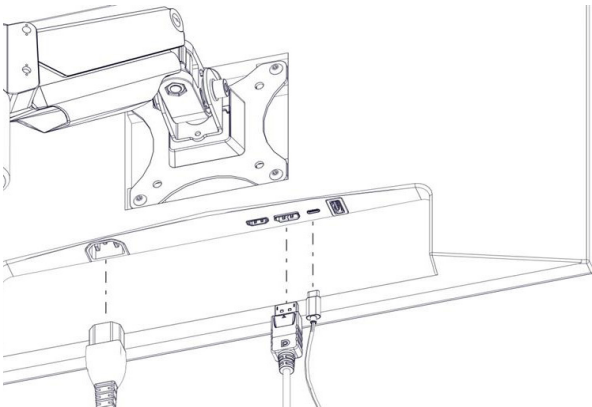
17 | Ensure the bolts are securely tightened.



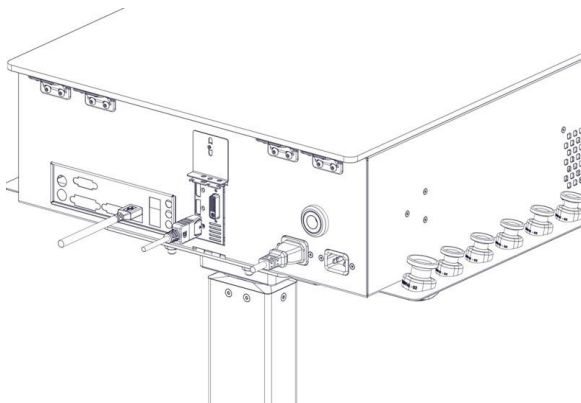
18 | Plug the power cables into the relevant ports at the back of the LapAR Pro sim station box as shown. (Please note the screen stand is not shown here just for clarity of plug positioning)



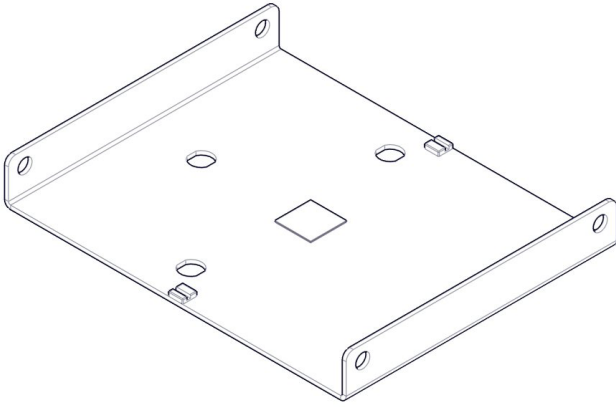
19 | Plug the 3 cables into the relevant ports in the underside of the monitor and into the back of the LapAR Pro sim station box.



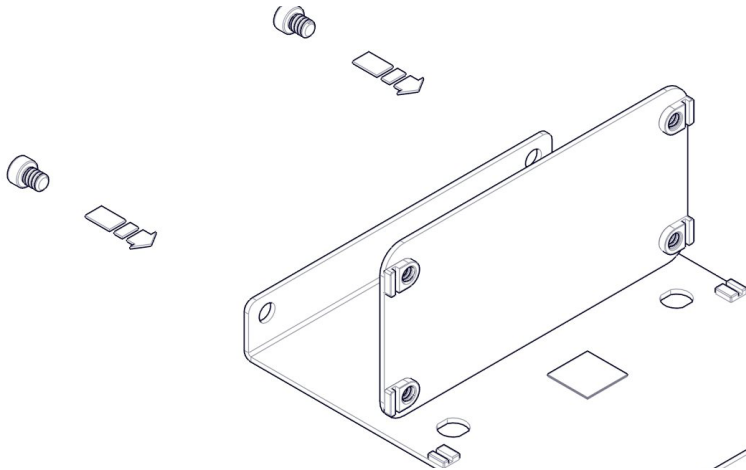
20 | Plug the other end of the monitor cables into the relevant ports in the underside of the monitor and into the back of the LapAR Pro sim station box.



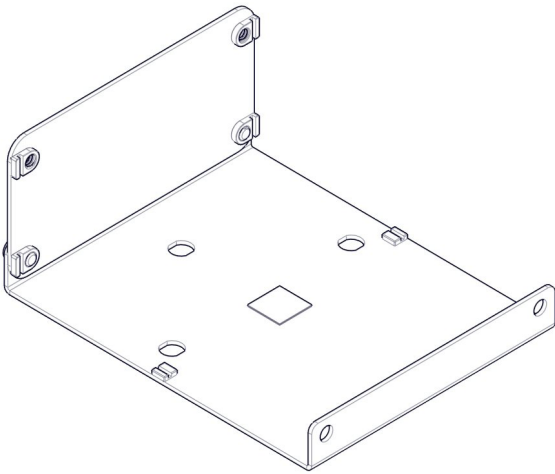
21 | Take the base part of the LapAR box trainer as shown in the diagram and lay it on a secure flat surface.



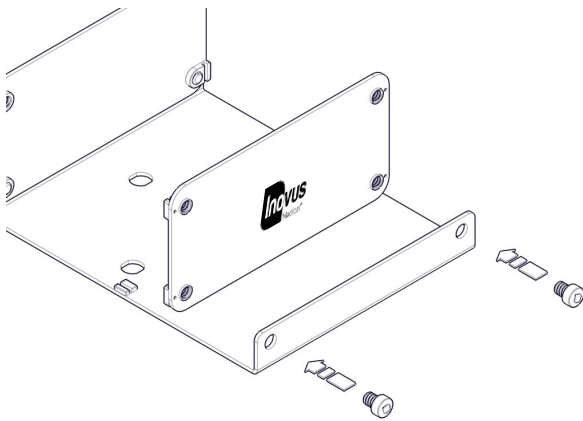
22 | Using the image as a guide, attach the rear panel ensuring the fixtures are orientated as shown.



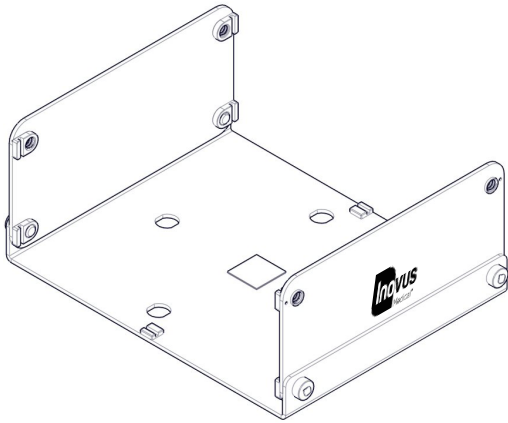
23 | Ensure the fixtures are hand tightened.



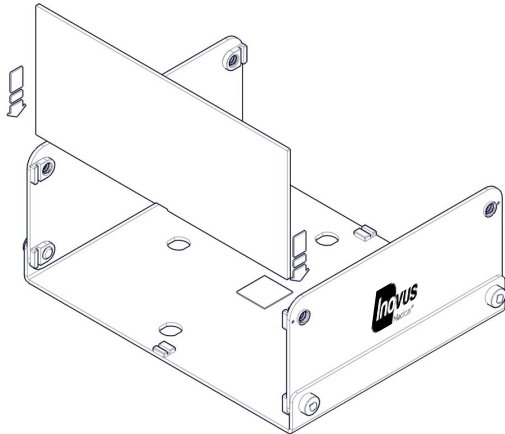
24 | Repeat the last two steps with the front panel as shown in the image. Ensure the logo is facing outwards.



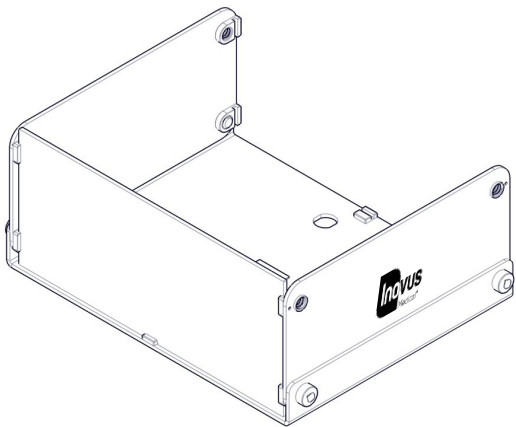
25 | Once the bottom elements are secure move onto the side panels.



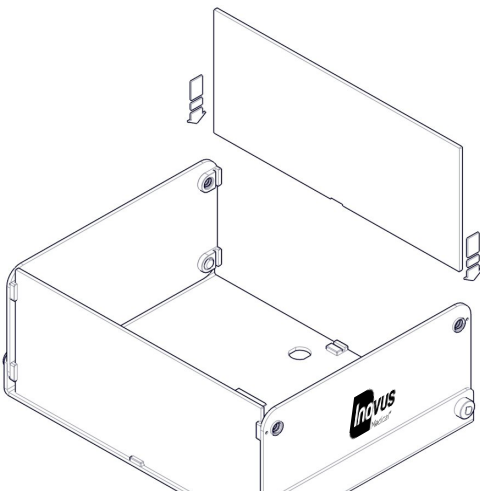
26 | Slot the first side panel in place.



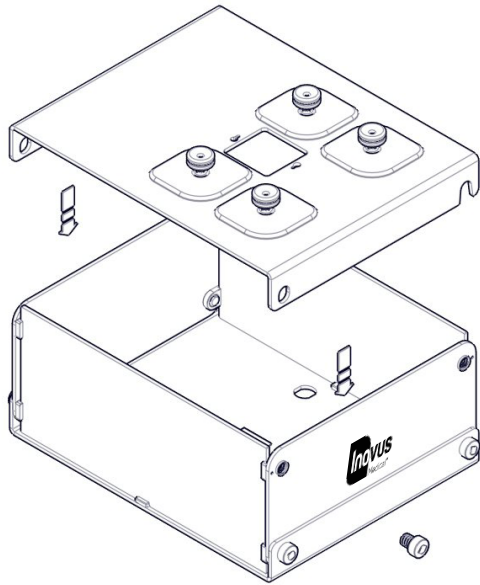
27 | The side panels do not require any screws or bolts.



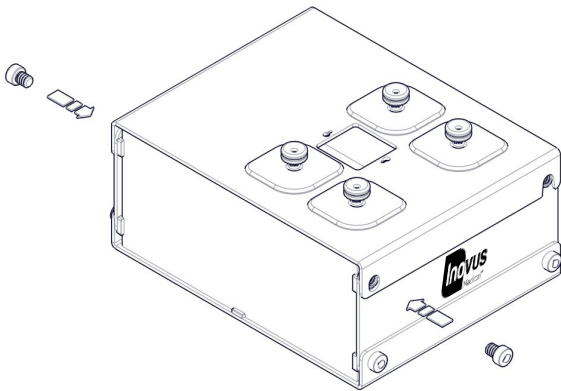
28 | Repeat the process with the second side panel.



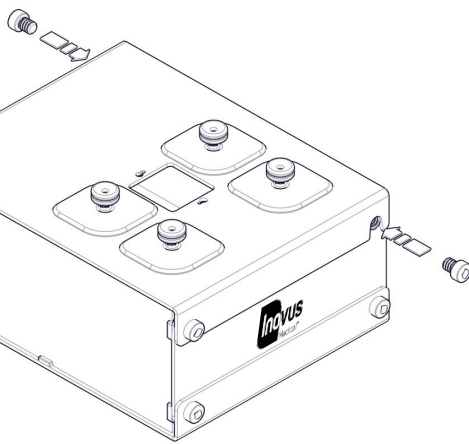
29 | Now place the top panel into position.



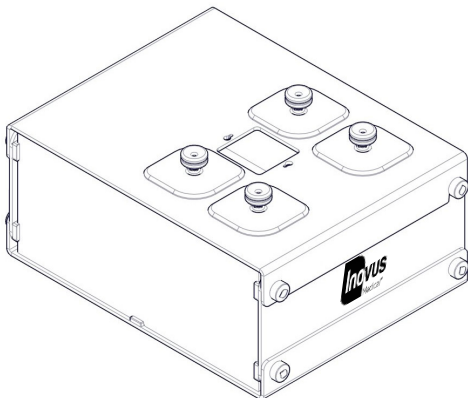
30 | Secure in place using the plastic bolts on the one side.

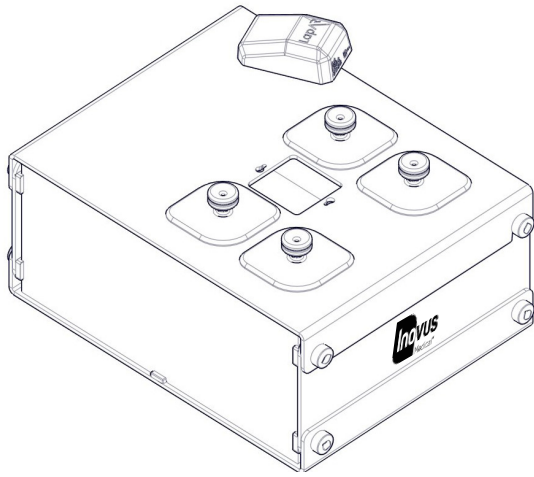


31 | Repeating this process on the second side.

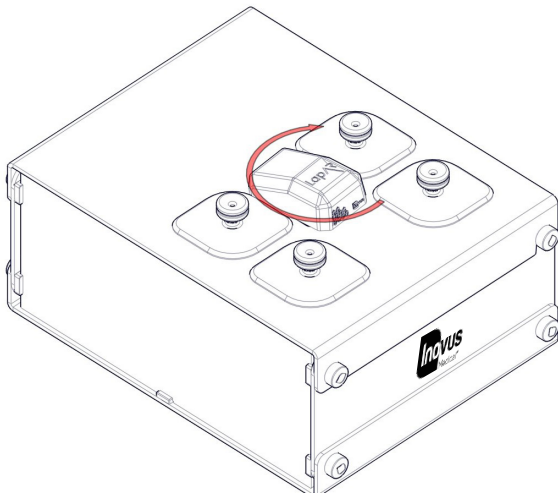


32 | The box trainer is now ready to attach and connect the camera.

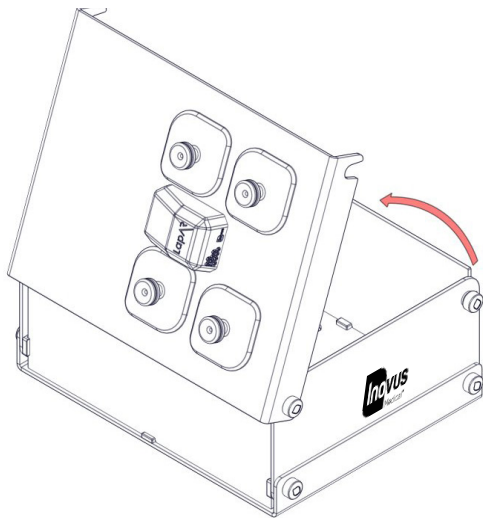




- 33 | Align the screws on the underside of the camera with the slots positioned on the top of the simulator.



- 34 | Twist the camera into the correct position. Ensuring the lead connections are facing the back of the simulator.

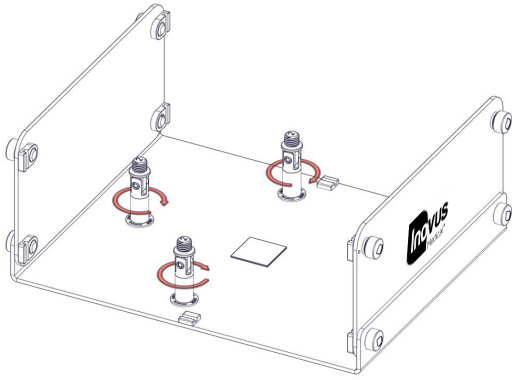


- 35 | Once assembly is complete the lid of the box trainer has been designed to open and close as shown. Loosen the bolts on the right hand side of the box trainer then the lid can be opened as shown.

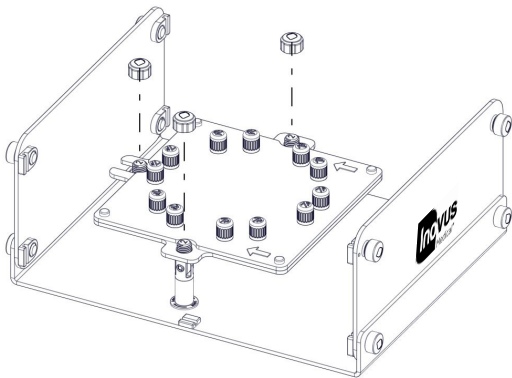
This allows easy access to the inside of the box trainer.

The LapAR has a variety of uses.

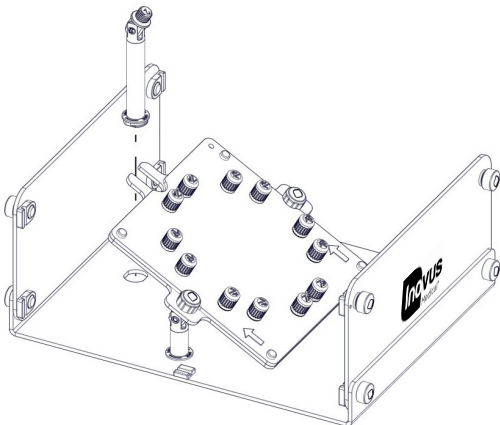
The following instructions will take you through the various options available to you.



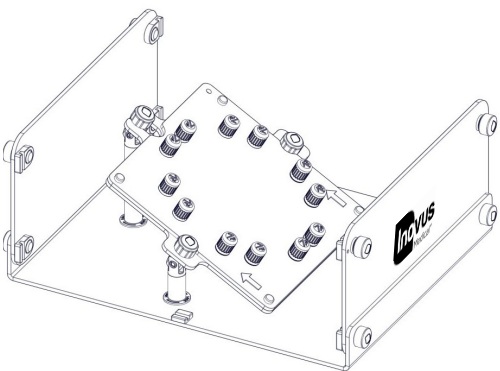
- 36 | To install the model mounting jig horizontally, insert the three small columns and lock in place as shown



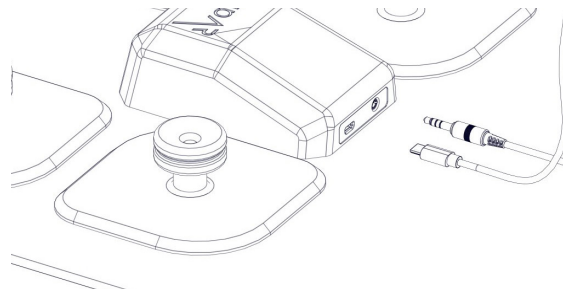
- 37 | Place the model mounting jig over the three columns as shown, screwing the top caps onto the columns.



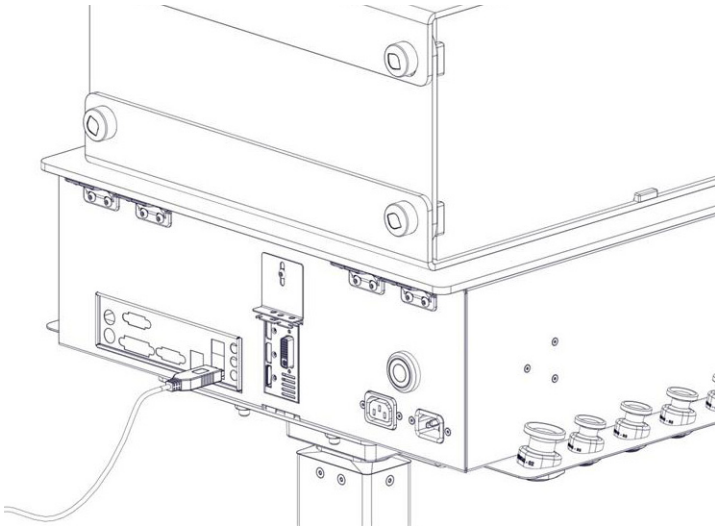
- 38 | To install the model mounting jig at a 45 degree angle replace the rear column with the larger one as shown.



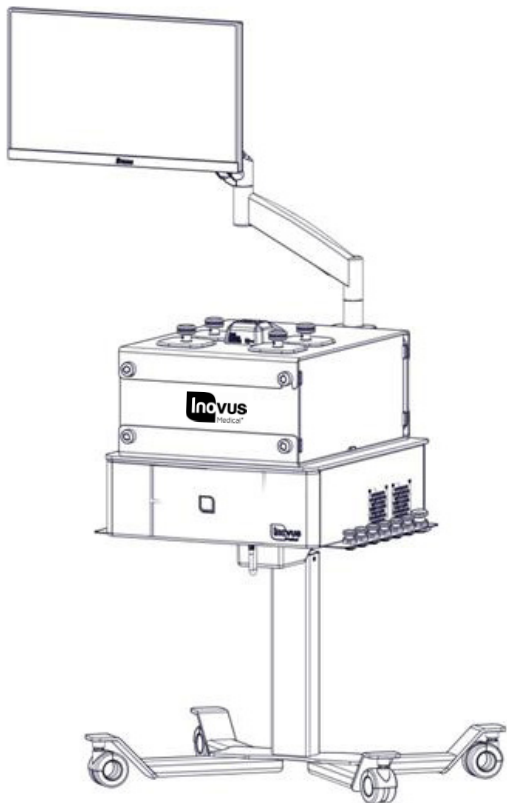
- 39 | The model mounting jig is now ready to be used with your medical models.



- 40 | Insert the camera leads (USB/USC) and model connector cable into the back of the camera.



- 41 | Connect the USB end of the camera cable into the back of the sim station.



- 42 | The LapAR Pro is now ready for use.

Software instructions.

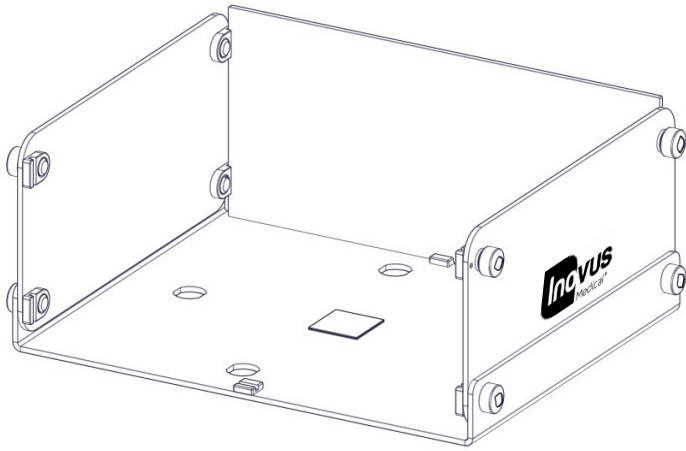
You will have received a link via email shortly after purchase. Follow the link to download the software platform that is required to run the LapAR.

This email also contains user account information such as an activation code and a link to your online portfolio. If you have not received a link please contact your Inovus Medical representative or email info@inovus.org

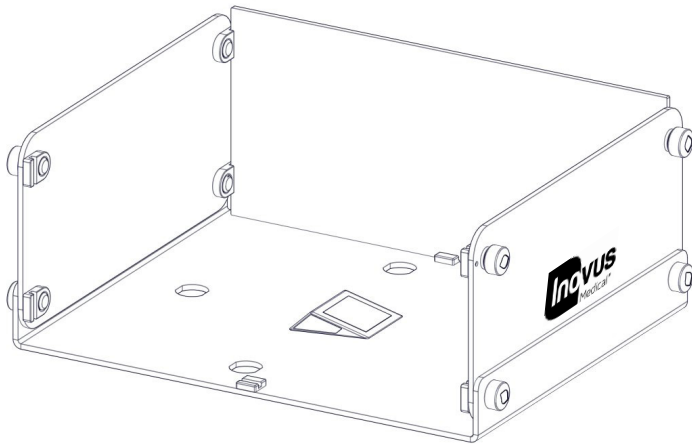
All other instructions are given inside the software.

Supporting products

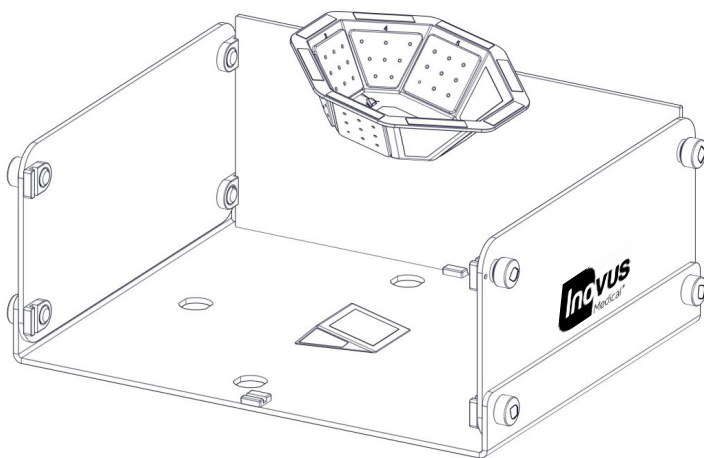
If you have purchased a LaparoBowl kit please follow the instructions below for securing it inside the box trainer.



43 | You will notice a velcro pad at the base of the box trainer.

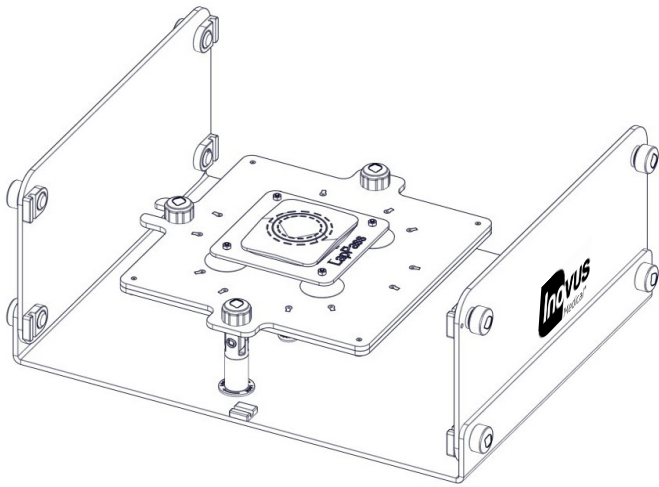


44 | Attach the wedge provided with your EMIGS LaparoBowl kit.



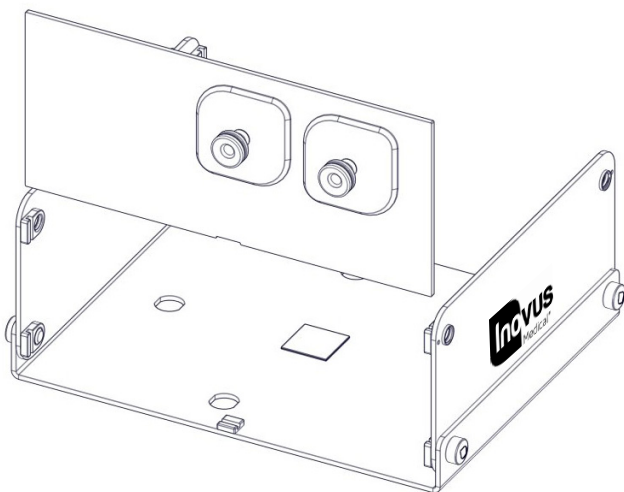
45 | Attach the LaparoBowl to the wedge secured on the base of the box trainer.

If you have purchased a LapPass kit please follow the instructions below for using it inside the box trainer.



- 46 | The model mounting jig can also be installed upside down to act as a platform for the LapPass kit.

Optional extras



- 47 | Optional side panels are available for purchase, should you wish to practice ipsilateral port suturing. To change the side panels see steps 6 - 8.

Once you have chosen the best solution for the procedural training you want to practice be sure that all the side panels and top of the box trainer are secured in place.



e: info@inovus.org
t: +44 (0)1744 752 952
w: www.inovus.org



[@inovusmedical](https://www.instagram.com/inovusmedical)

All products contained in this catalogue are Copyright Inovus Ltd 2023
Full price list available on request: info@inovus.org
Full warranty details can be found on www.inovus.org