



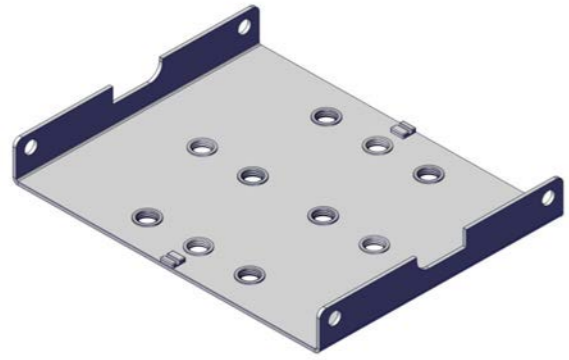
Accessible | Affordable | Functional



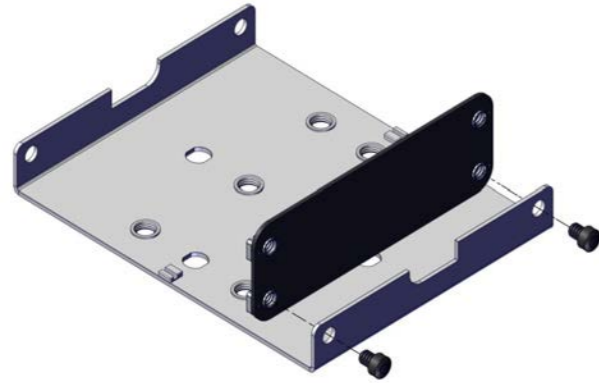
MISHUB

Setup Manual

Product number: 00002222

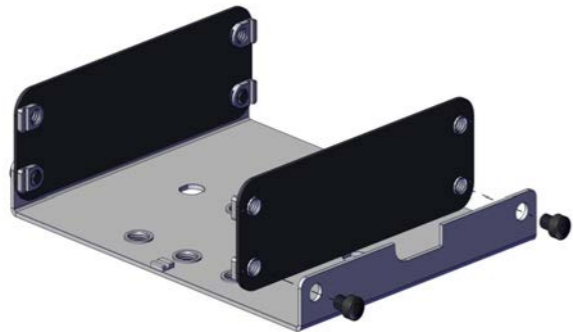


1 | Place the MISHUB base plate on a stable, flat surface.



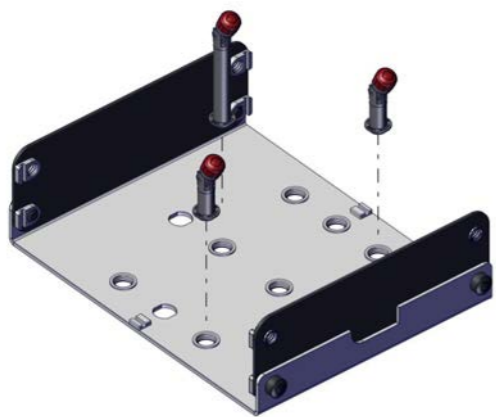
2 | Position the front panel against the front edge of the base plate.

Align the holes and secure using the two lock nuts.



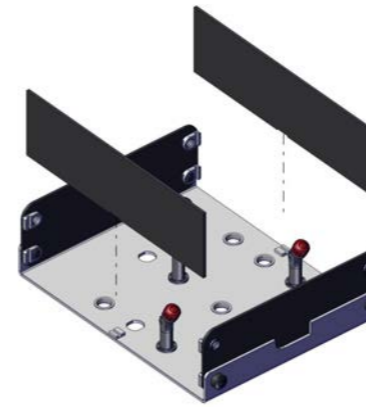
3 | Position the rear panel at the back of the base plate.

Ensure the locating tabs are seated correctly.



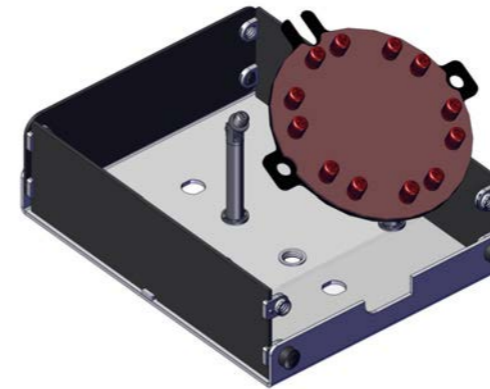
4 | Insert the pillars into the designated mounting holes on the base plate.

Ensure each pillar is fully seated and vertical.



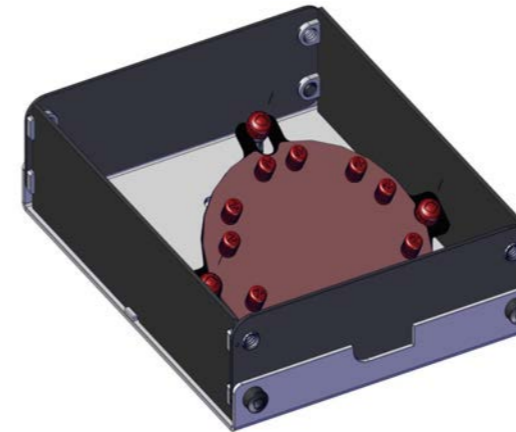
5 | Slide the left and right side panels into the locating tabs on the base plate.

Ensure both panels sit flush with the base and front/rear panels.

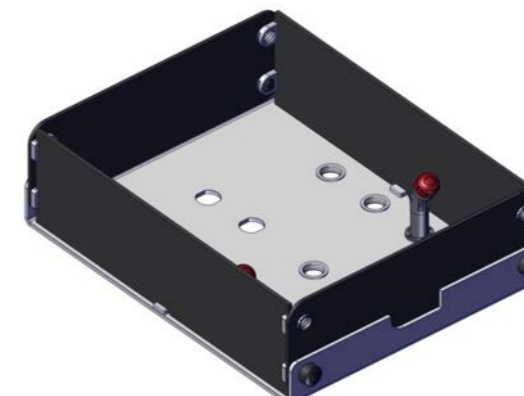


6 | Position the model mounting jig (MMJ) onto the central post.

Ensure it rests securely and is correctly oriented.



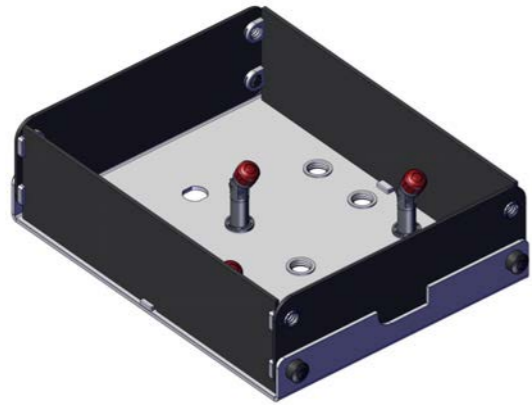
7 | Secure the model mounting jig with the red pillar caps.



8 | Remove the rear tall pillar from the base.

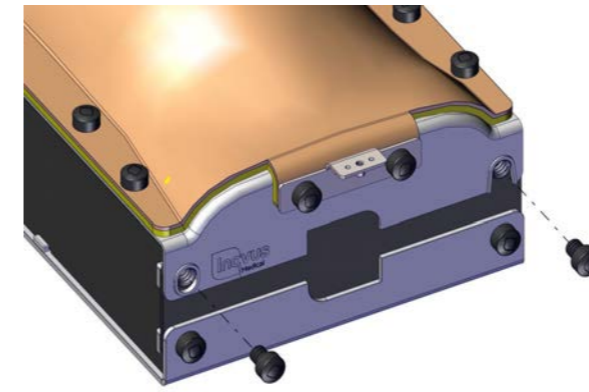
Alternative model mounting jig configuration

For the alternative configuration, follow steps 8–10 instead of steps 6–7.



- 9 | Insert the short pillar in the rear slot previously taken up by the tall pillar.

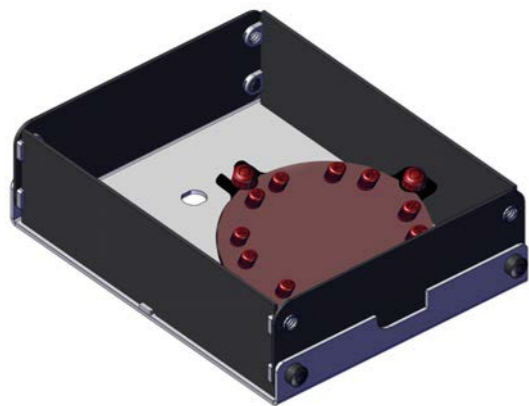
Ensure each pillar is fully seated and vertical.



- 12 | Using the lock nuts included with the kit, insert and tighten the lock nuts on both the front and rear side of the cover.

Do not over tighten the lock nuts on the right-hand side to allow the lid to open freely.

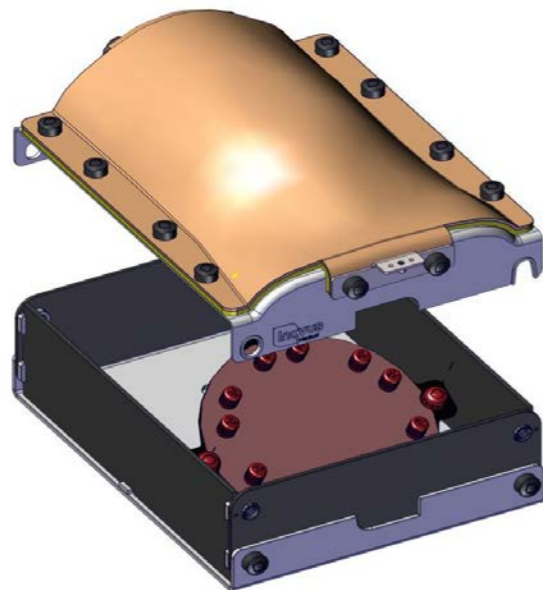
The MISHUB is now ready for use.



- 10 | Position the model mounting jig onto the central post and secure it using the red pillar caps.

Ensure the jig rests securely on the three short pillars, with all red caps attached and tightened

With the three shorter pillars in position, the MMJ plate will sit flat inside the trainer.



- 11 | Place the top cover onto the trainer body.

Align the edges and mounting holes with the front and back panels.



Surgical Training Remastered

Global Headquarters
St Helens, United Kingdom
E: info@inovus.org
T: +44 (0)1744 752 952
www.inovus.org

USA Headquarters
Tampa, Florida USA
E: info@inovus.org
T: 512 481 7691
www.inovus.org

   @inovusmedical

All products contained in this catalogue are Copyright Inovus Ltd 2026
Full price list available on request: info@inovus.org