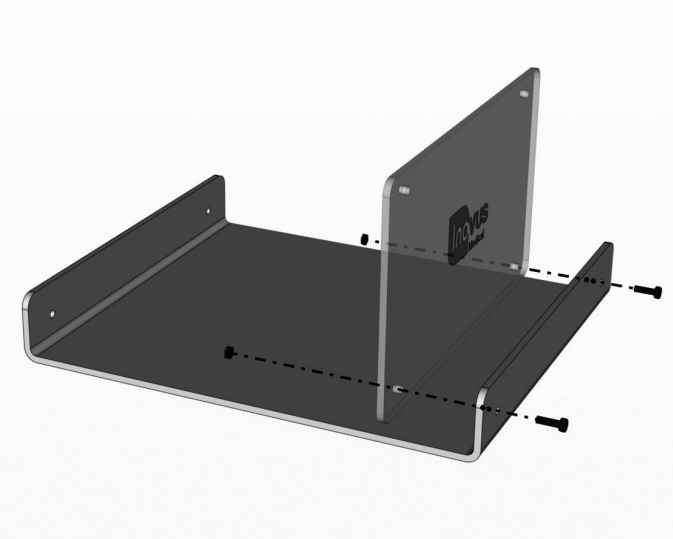




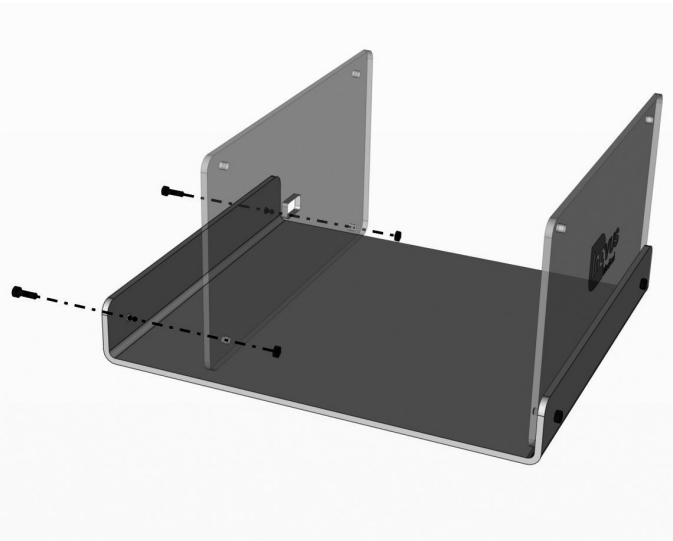
Accessible | Affordable | Functional



Pyxus HD Setup Manual



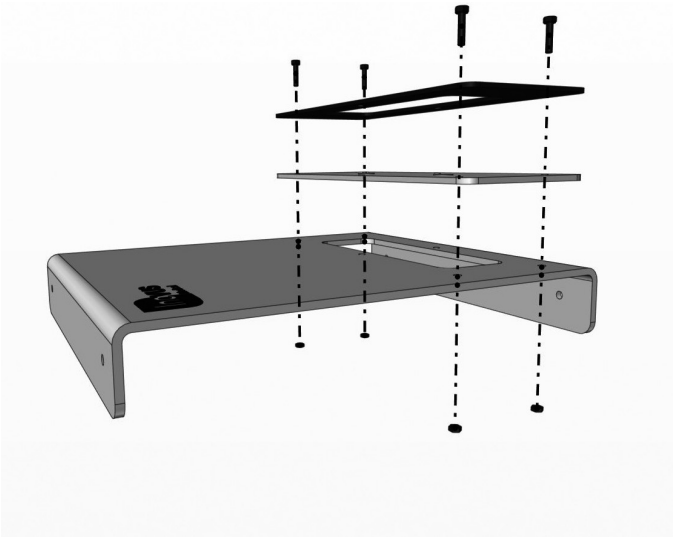
- 1 | Begin the assembly by taking out parts UHD and BTM01. Using 2 x M5B8 bolts and 2 x WN14 nuts, screw the UHD panel into position as shown.



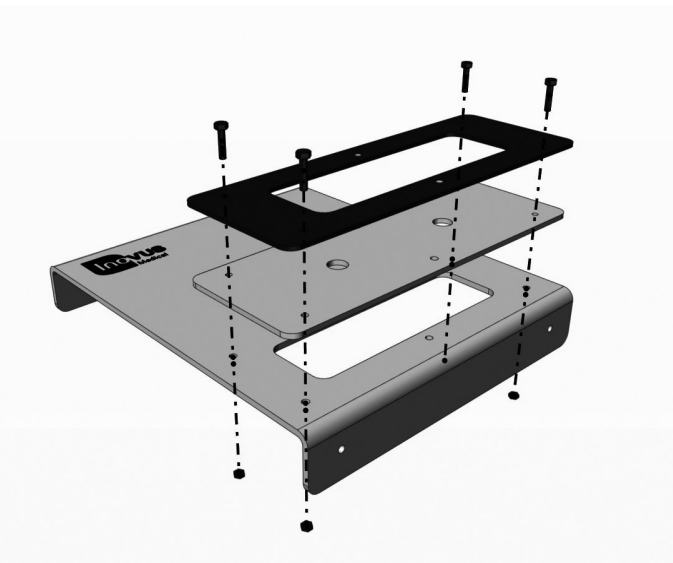
- 2 | Using 2 x M5B8 bolts and 2 x WN14 nuts, secure the rear panel U01-2.



- 3 | Your simulator should now look like this, with both upright panels securely in position.



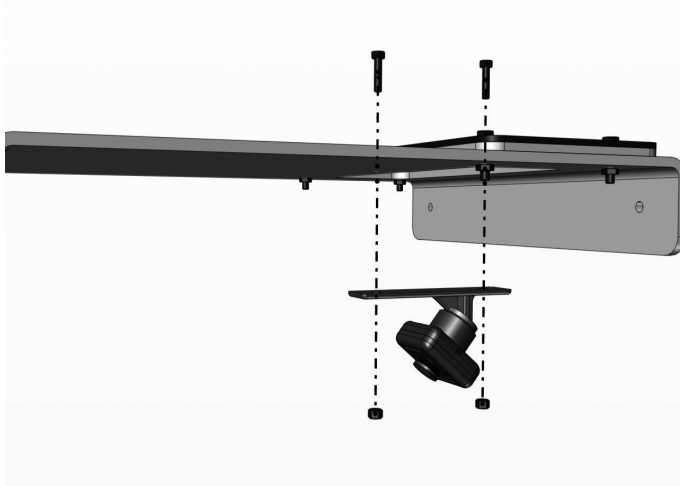
4 | You may now start the TPB01 sub-assembly. Taking TPB01, SK01 and BKT01, secure as shown using 4 x M5B6 bolts and 4 x WN14 nuts.



5 | For the moment, leave the two centre holes free.



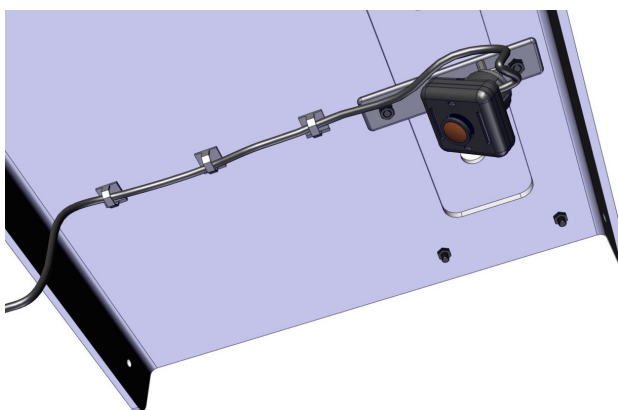
6 | You have now completed the TPB01 sub-assembly.



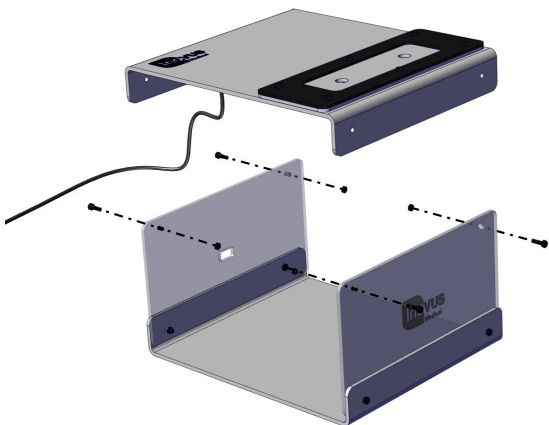
7 | Use the remaining M5B6 bolts and 2 x WN14 nuts to secure the camera unit to the underside of TPB01.



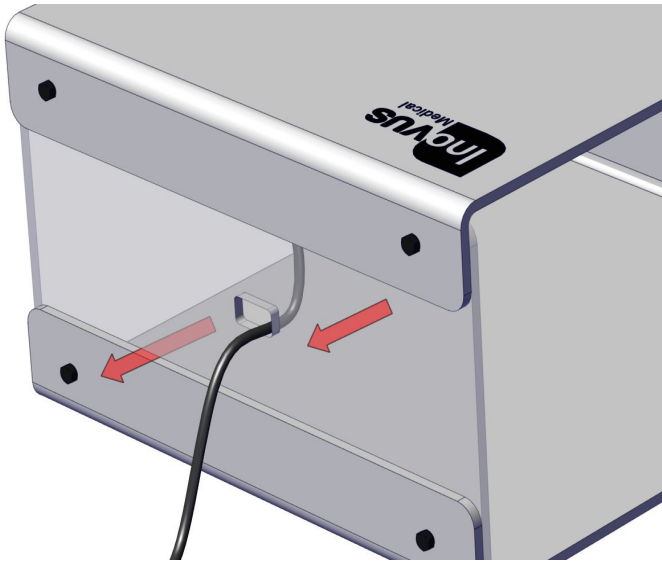
8 | Position the adhesive wire clips in line with the camera unit on the underside of TPB01.



9 | You may now run the wire as shown and clip it into position.



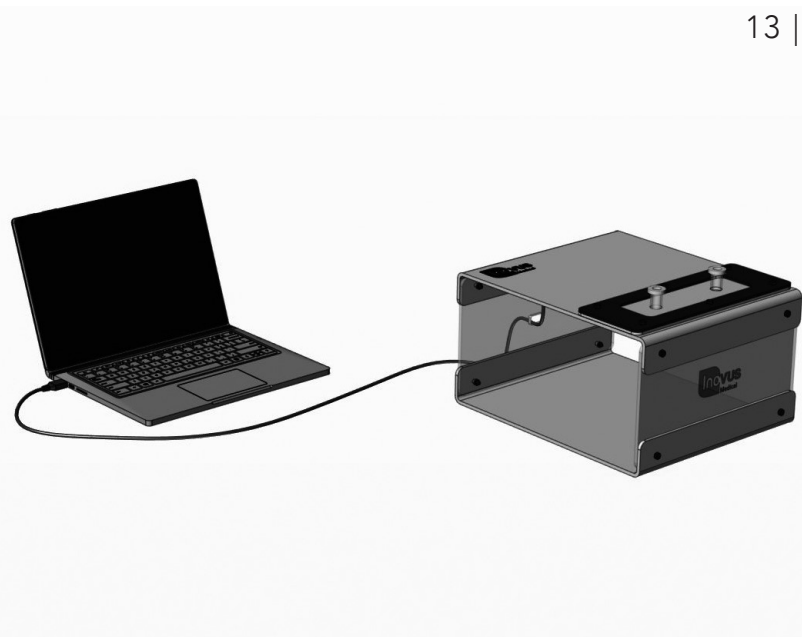
10 | Having already completed the TPB01 sub-assembly, you may now use 2 x M5B8 bolts & 2 x WN14 nuts to secure it to the upright panels.



11| Feed the USB cable through the aperture in the rear panel as shown.




12| Connect the USB cable to your laptop or PC.




13| The setup should now look similar to this image. The lights on the camera should now be illuminated.

Windows 8/10:

To start using your simulator immediately without the need to download software you will need to navigate to the start menu and type "camera" > Click the camera icon or symbol > At this stage your computers default camera may open up, in the event that it does look for the following icon  > Click it to change the default camera to the simulator camera. Once completed you can now begin to operate.

MAC OS X:

To start using your simulator immediately without the need to download software on your MAC you will need to click the search icon in the top right hand corner of the screen > Type Quick Time > Click the Quick Time icon > Once ready you should now have the Quick Time options appear in the top left hand corner of the desktop > Click File > New Movie Recording > At this stage the computers default camera may appear on screen > To swap the camera view to the simulator camera you must navigate to the record button > Click the down arrow the right of the button  > Select USB 2.0 Camera. Once completed you can now begin to operate.



e: info@inovus.org
t: +44 (0)1744 752 952
w: www.inovus.org

