



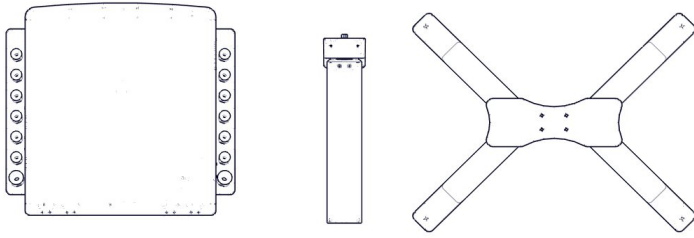
Accessible | Affordable | Functional



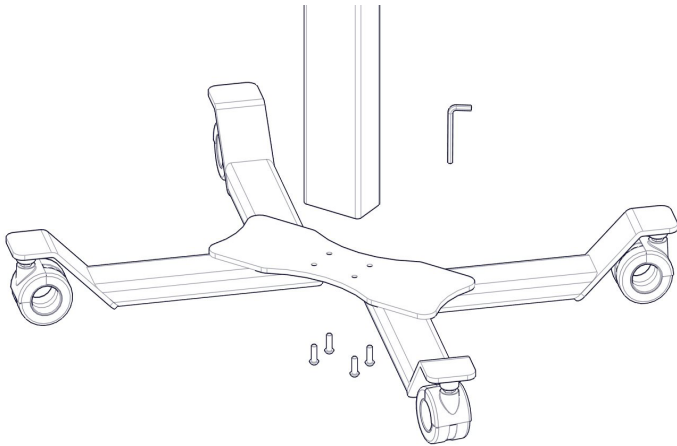
**HystAR**<sup>™</sup>  
Pro

Setup Manual

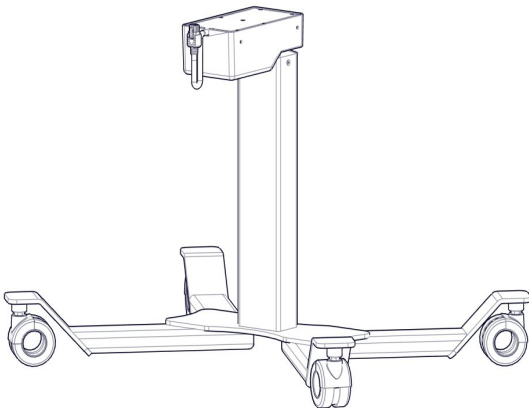
Product Number: 00001482



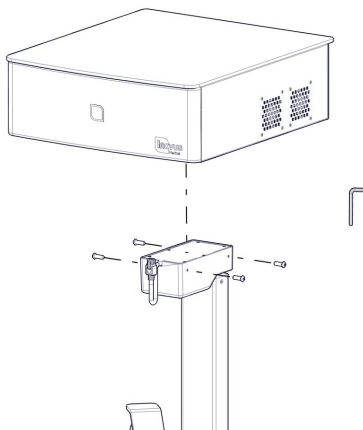
- 1 | When opening your simulator it is recommended that you unpack all package contents and arrange them before starting construction.



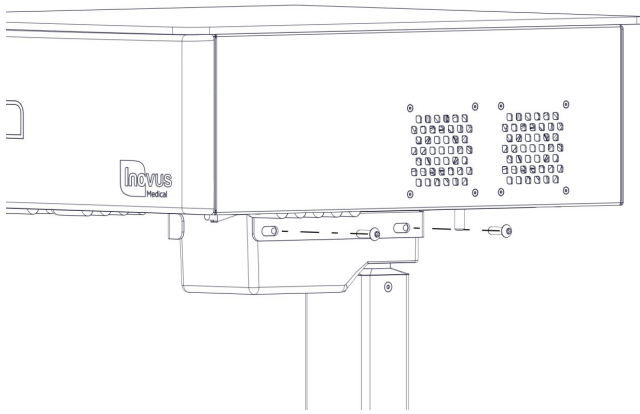
- 2 | Start the assembly of your sim station by screwing the 4x bolts into the underside of the base. You can do this using the allen key provided.



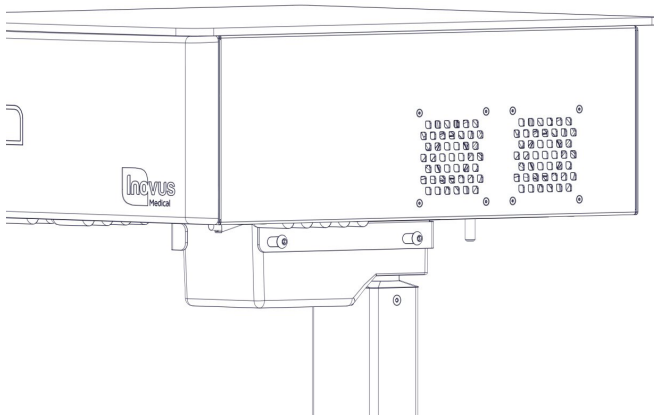
- 3 | Now that the base is attached to the main column you are ready to attach the top box.,



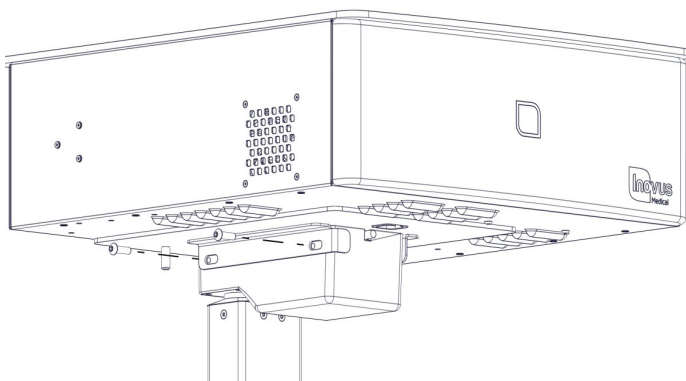
- 4 | Locate the 4x bolts provided to attach the top box.



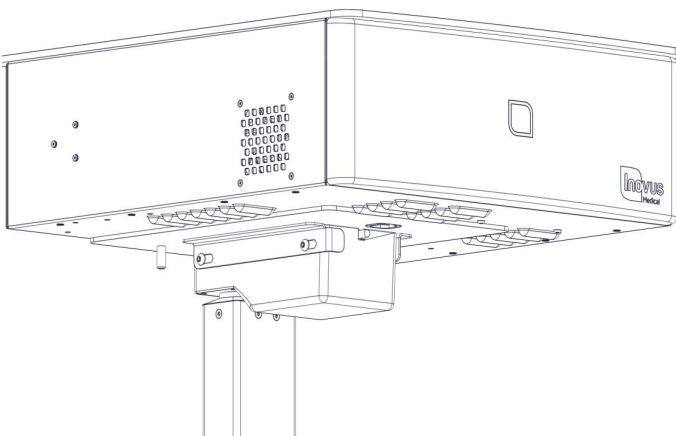
- 5 | Insert two bolts into the side of the sim station main column and top box, screwing in place with the allen key provided.



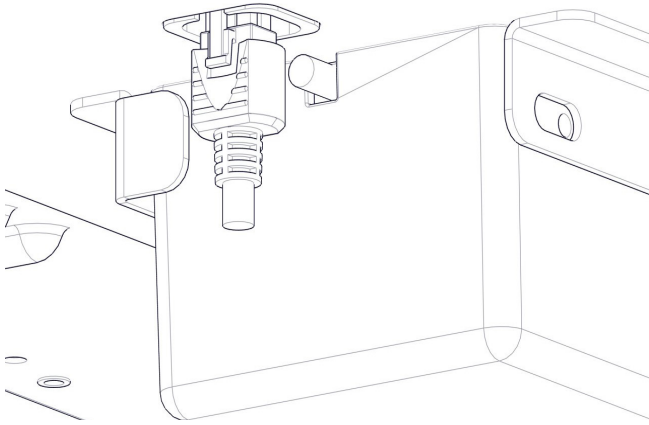
- 6 | Ensure the bolts are finger tightened initially whilst you move onto the next step.



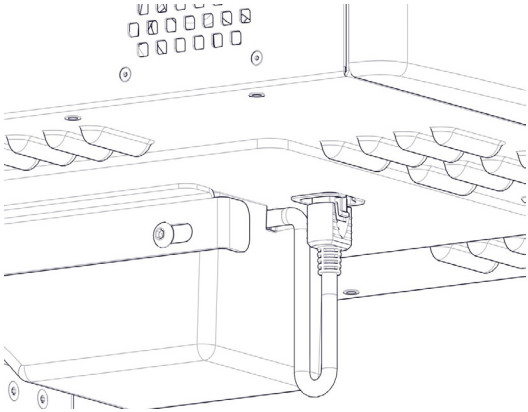
- 7 | Repeat this process on the other side of the sim station.



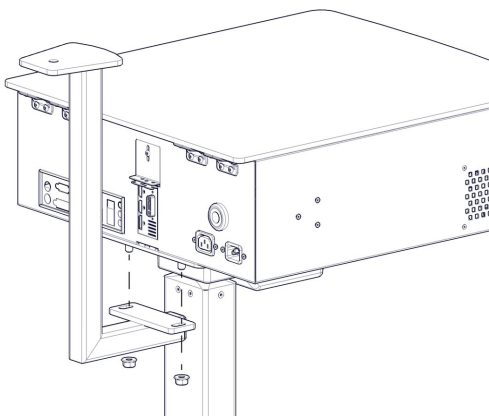
- 8 | Tighten all screws with allen key provided. The top box should now be securely attached to the main column.



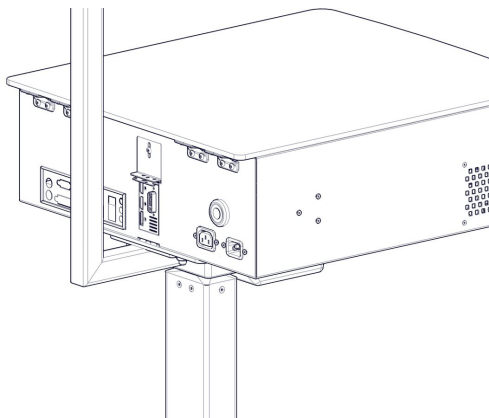
- 9 | Locate the main column lead on the underside of the sim station box.



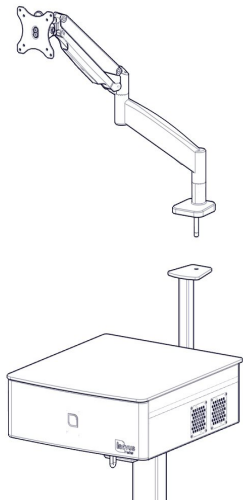
- 10 | Secure the lead in place with the connector as shown.



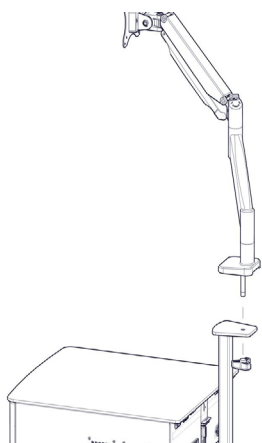
- 11 | Taking the Z-shaped monitor bracket, attach to the underside of the top box of the sim station using the 2x nuts provided.



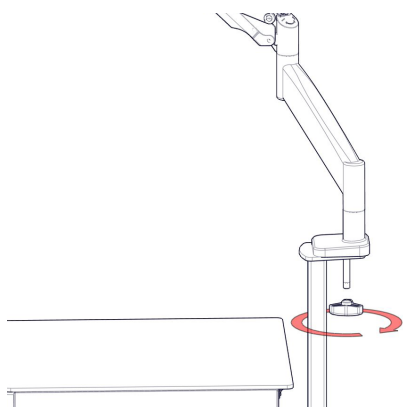
- 12 | Tighten the nuts to ensure the bracket is secured in place.



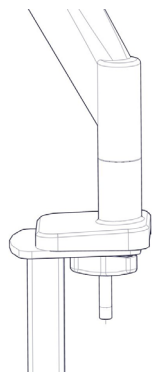
- 13 | Locate the angled tv bracket arm. (There are further instructions included with the monitor arm should you require them).



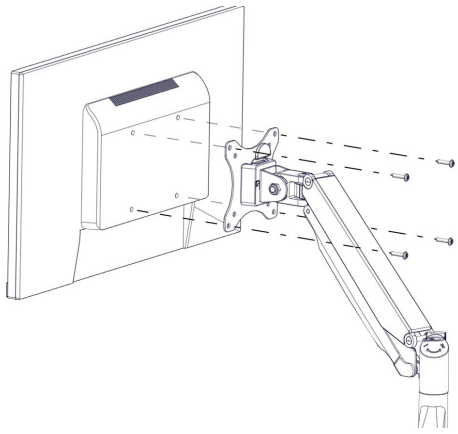
- 14 | Insert the bolt on the base of the monitor stand into the hole on the top of the Z-shaped bracket now attached to the sim station.



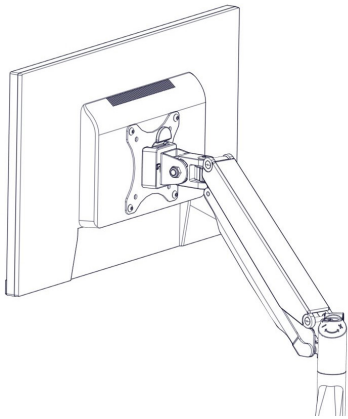
- 15 | Locate the handle and tighten onto the underside of the bolt as indicated.



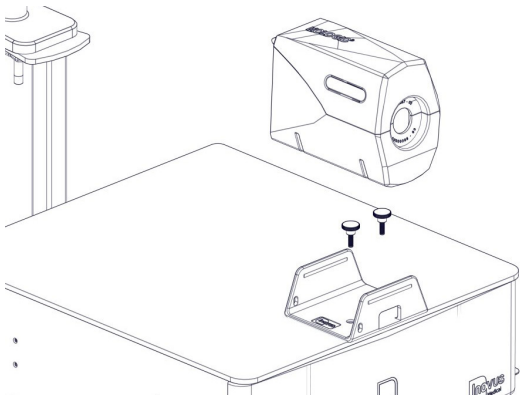
- 16 | Ensure the bolt is tightened.



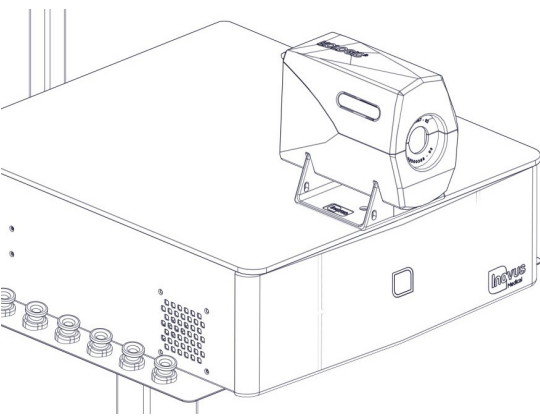
17 | Locate 4x bolts and thread through the bracket and into the back of the monitor.



18 | Ensure the bolts are securely tightened.

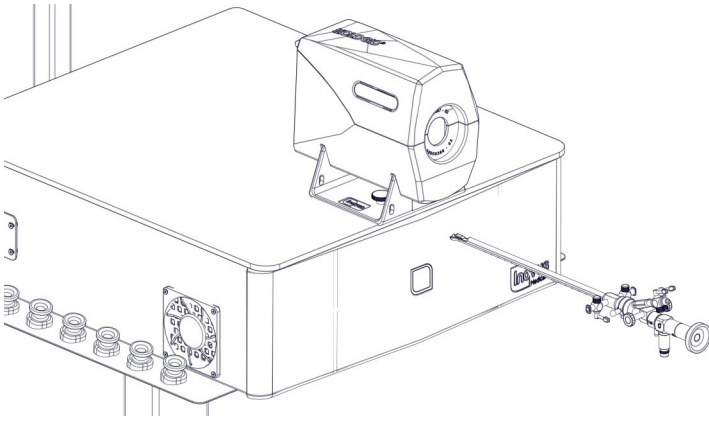


19 | Align the U-shaped bracket with the bolt holes on the top of the sim station and secure using the thumb screws provided.

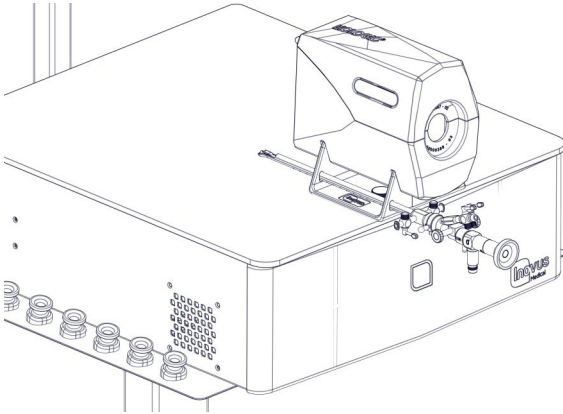


20 | You may now place the uterus housing onto the U-shaped bracket. Please note this is a push fit fixture.

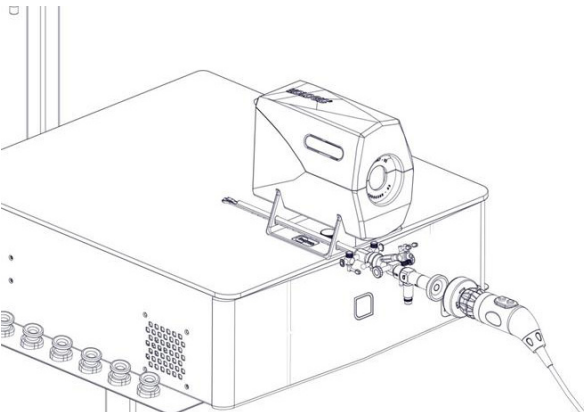
21 | Insert the scope into the introducer.



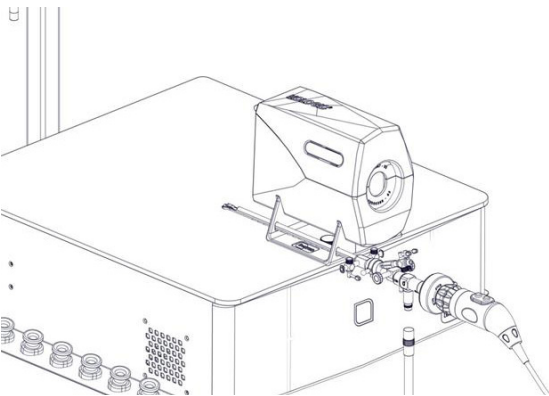
22 | Place the hysteroscope in the holes provided on the left hand side of the U-shaped bracket.

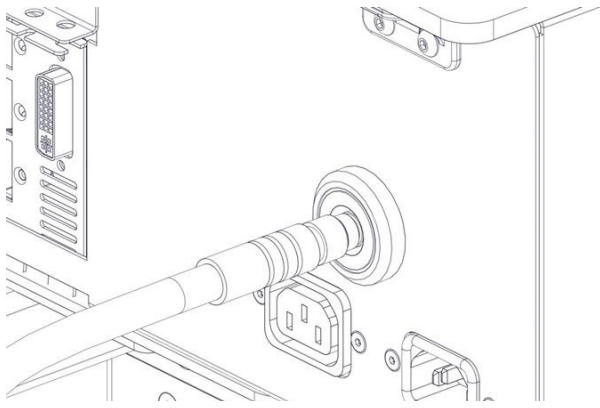


23 | Attach the camera to the scope.

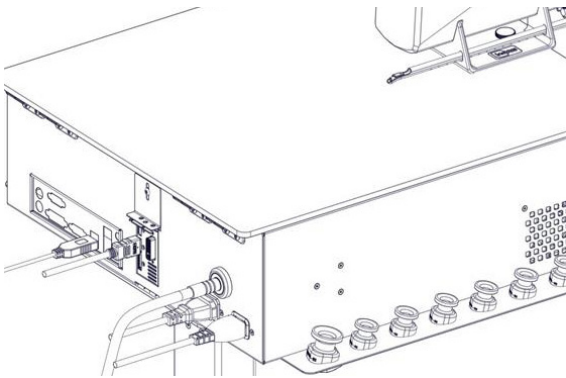


24 | Attach the fibre optic light lead to the scope.

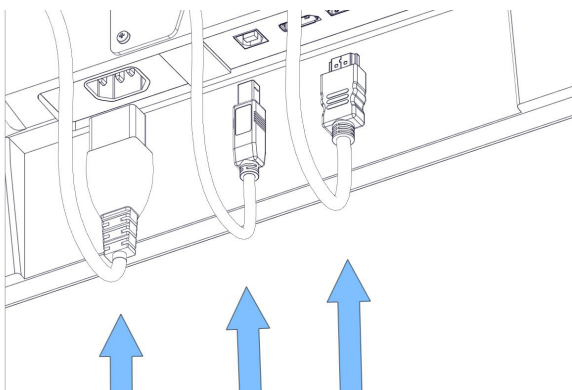




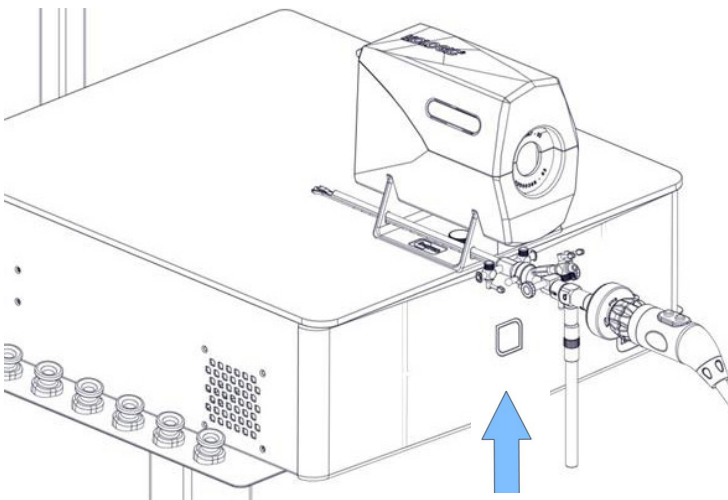
- 25 | Insert the fibre optic light lead into the back of the sim station.



- 26 | Plug the power cables into the relevant ports at the back of the sim station as shown. (Please note the monitor stand is not shown here just for clarity of plug positioning).



- 27 | Plug the 3 cables into the relevant ports in the underside of the monitor.



- 28 | Turn the system on using the power switch on the front of the sim station. Once the computer has loaded up, select the HystAR icon on the touch screen monitor and follow the instructions inside the software.





## Surgical Training Remastered

---

Global Headquarters  
St Helens, United Kingdom  
E: [info@inovus.org](mailto:info@inovus.org)  
T: +44 (0)1744 752 952  
www: [inovus.org](http://inovus.org)

USA Headquarters  
Tampa, Florida USA  
E: [info@inovus.org](mailto:info@inovus.org)  
T: 512 481 7691  
www: [inovus.org](http://inovus.org)

   @inovusmedical

All products contained in this catalogue are Copyright Inovus Ltd 2024  
Full price list available on request: [info@inovus.org](mailto:info@inovus.org)