



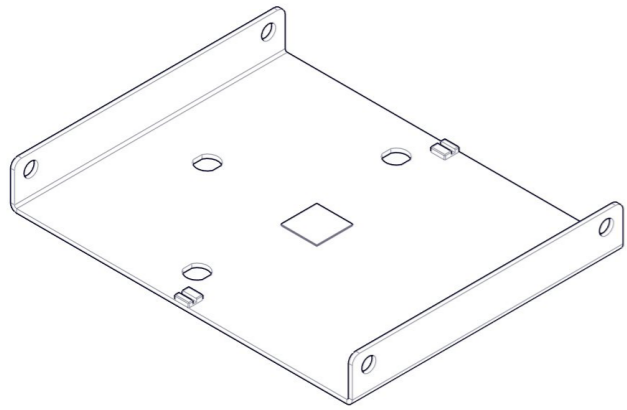
Accessible | Affordable | Functional



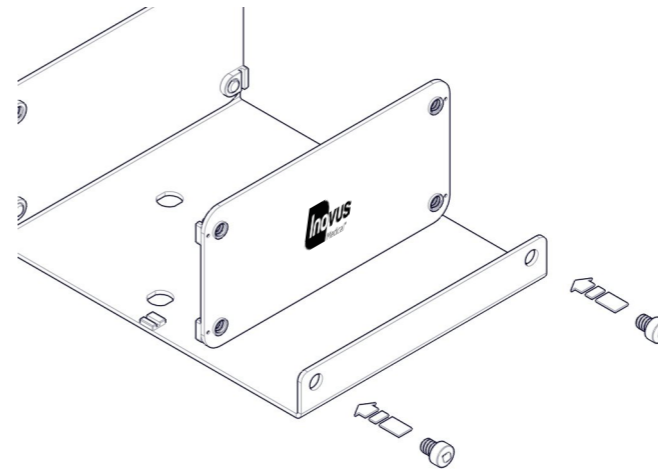
LapAR

Setup Manual

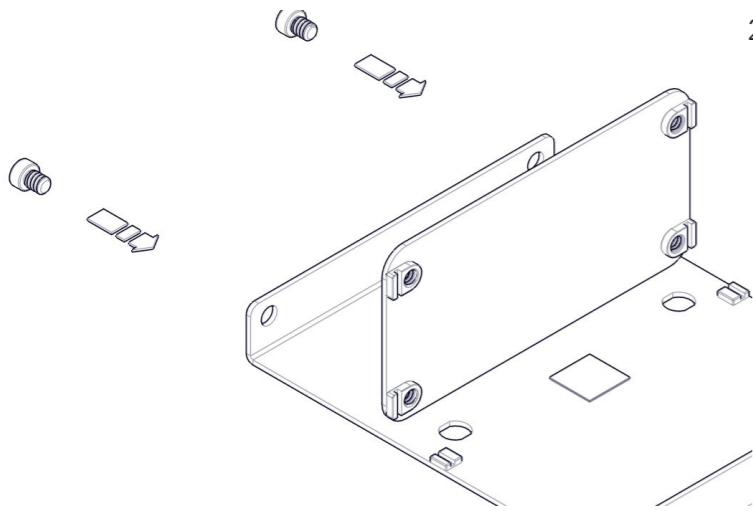
Product number: 00000502



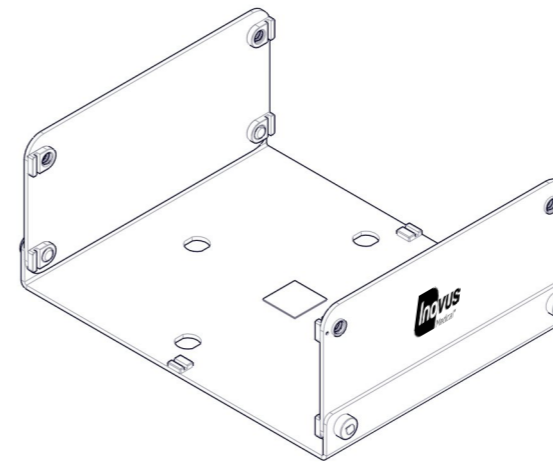
1 | When opening your simulator it is recommended that you unpack all package contents and arrange them before starting assembly. Once you have done this, take the base part as shown in the diagram and lay it on a secure flat surface.



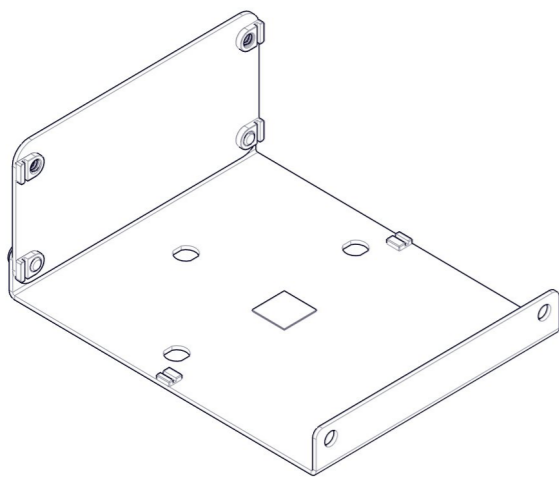
4 | Repeat the last two steps with the front panel as shown in the image. Ensure the logo is facing outwards.



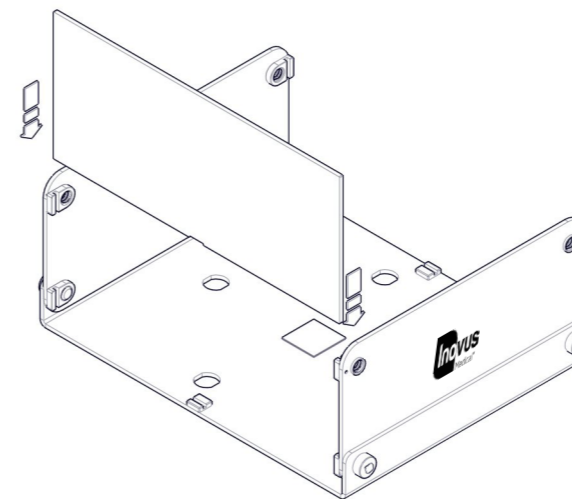
2 | Using the image as a guide, attach the rear panel ensuring the fixtures are orientated as shown.



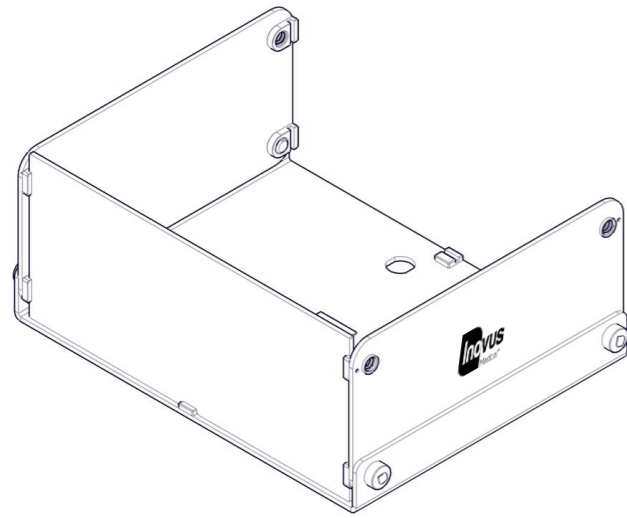
5 | Once the bottom elements are secure move onto the side panels.



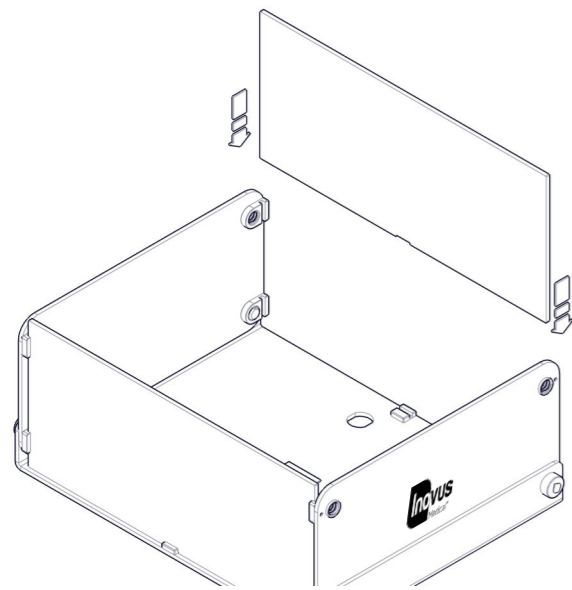
3 | Ensure the fixtures are hand tightened.



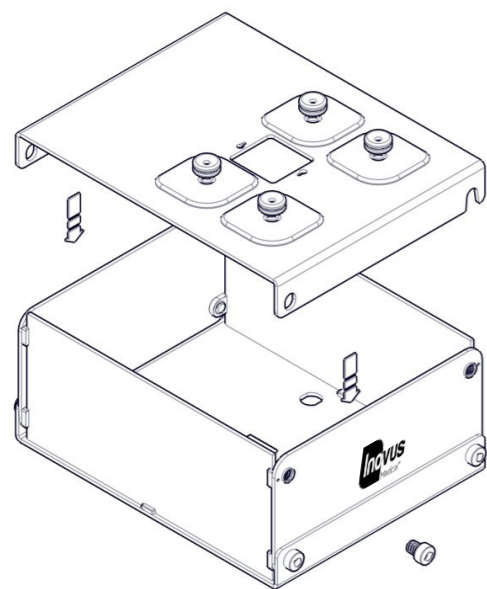
6 | Slot the first side panel in place.



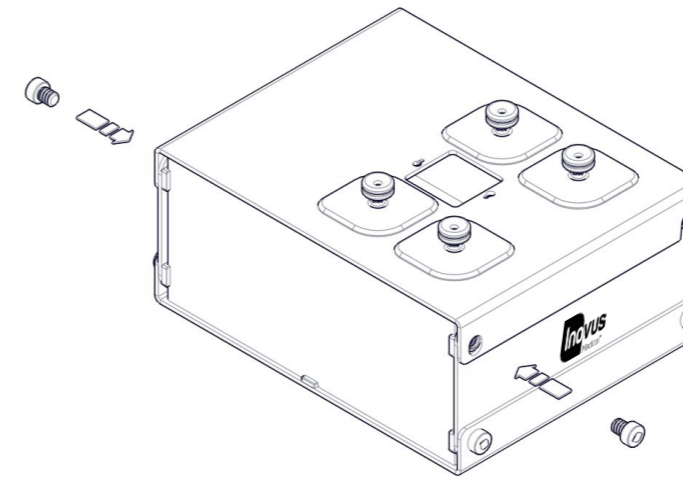
7 | The side panels do not require any screws or bolts.



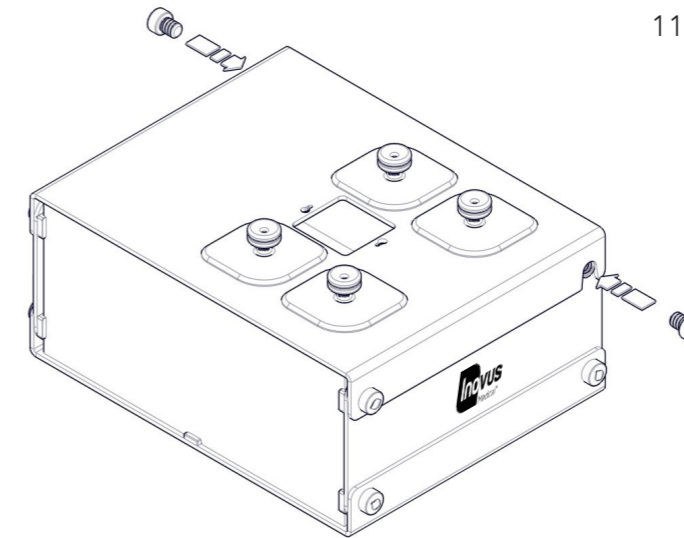
8 | Repeat the process with the second side panel.



9 | Now place the top panel into position.



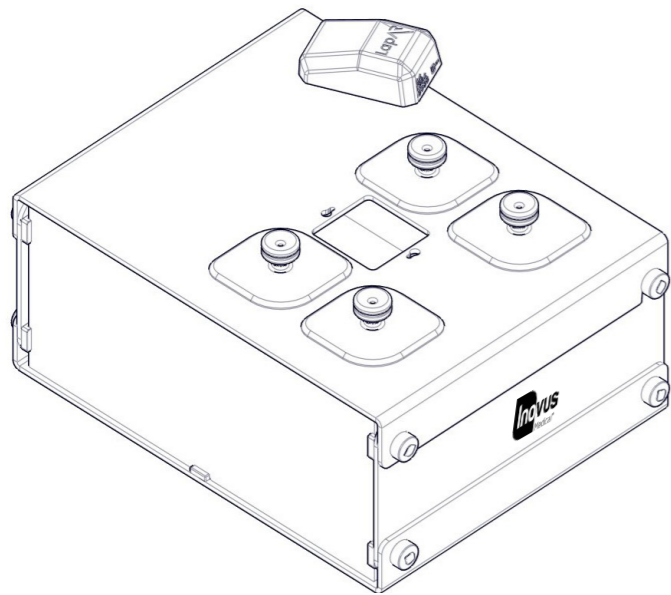
10 | Secure in place using the plastic bolts on the one side.



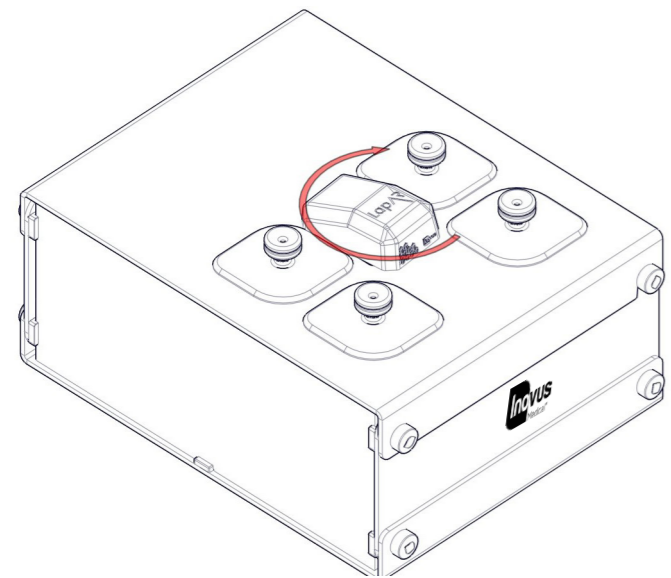
11 | Repeating this process on the second side.



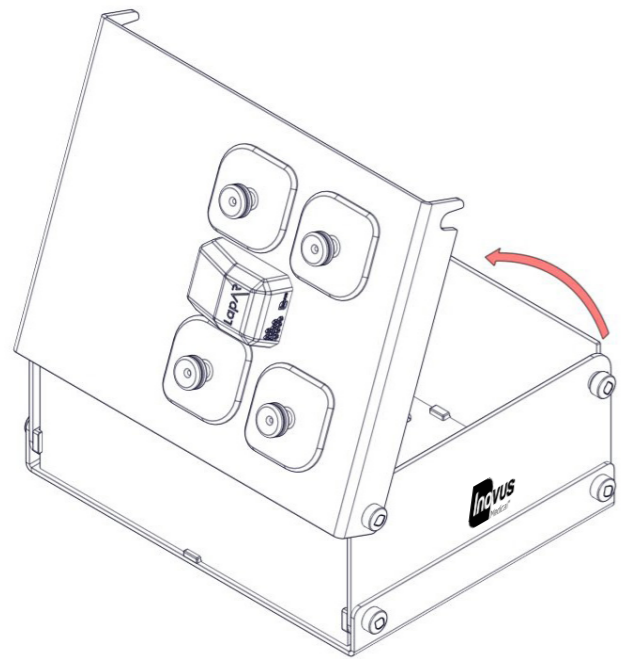
12 | The box trainer is now ready to attach and connect the camera.



13 | Align the screws on the underside of the camera with the slots positioned on the top of the simulator.

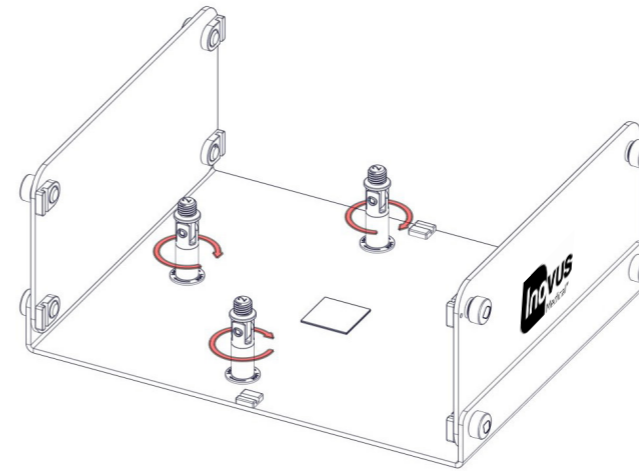


14 | Twist the camera into the correct position. Ensuring the lead connections are facing the back of the simulator.

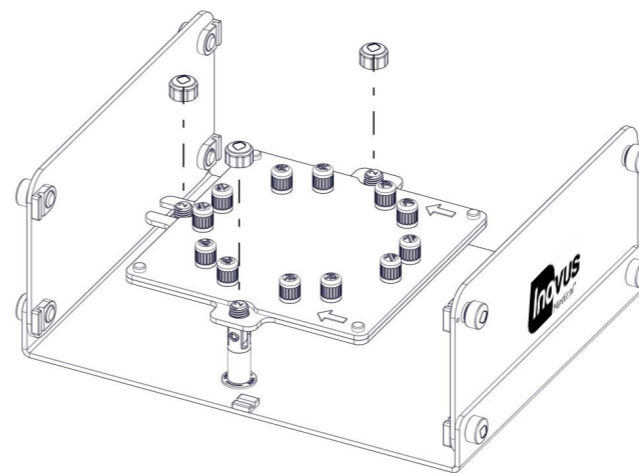


15 | Once assembly is complete the lid of the box trainer has been designed to open and close as shown. This allows easy access to the inside of the box trainer.

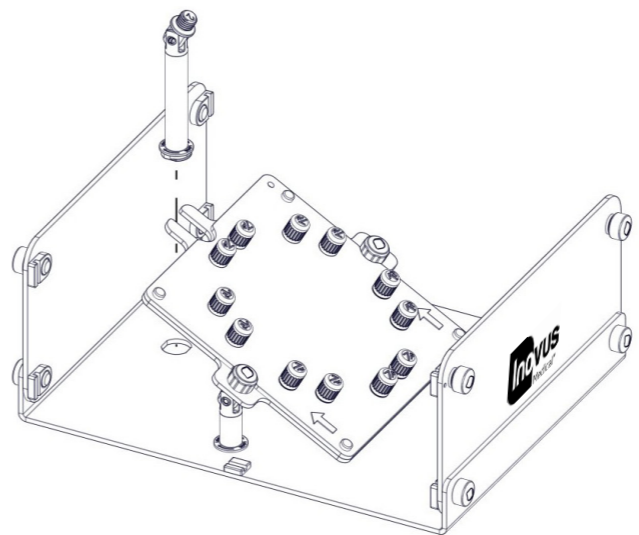
The LapAR has a variety of uses. The following instructions will take you through the various options available to you.



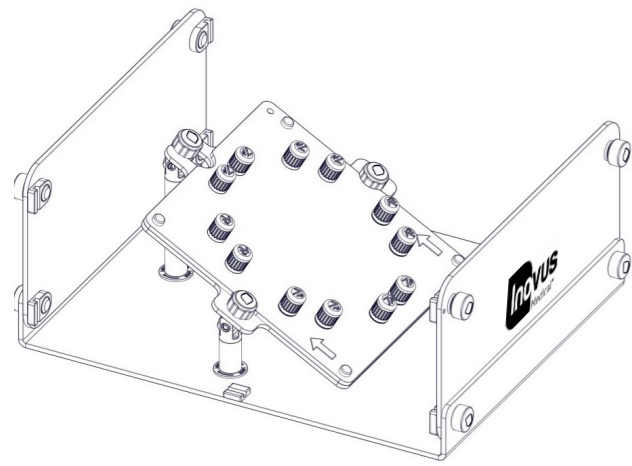
16 | To install the model mounting jig horizontally, insert the three small columns and lock in place as shown.



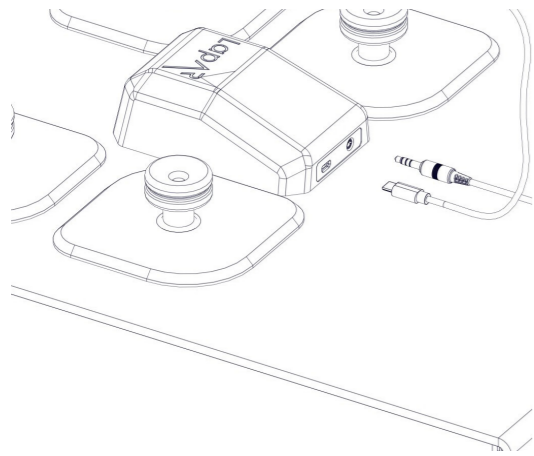
17 | Place the model mounting jig over the three columns as shown, screwing the top caps onto the columns.



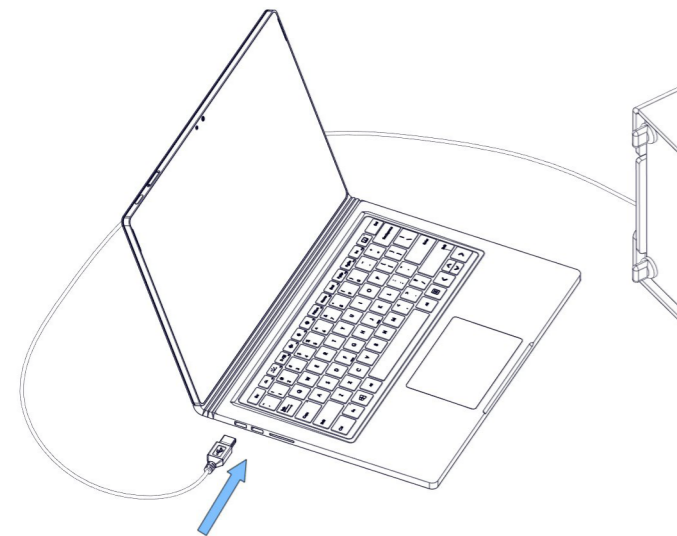
18 | To install the model mounting jig at a 45 degree angle replace the rear column with the larger one as shown.



19 | The model mounting jig is now ready to be used with your medical models.



20 | Insert the camera leads (USB/USC) and model connector cable into the back of the camera.



21 | Connect the ends of the cable into your Laptop.

Software instructions.

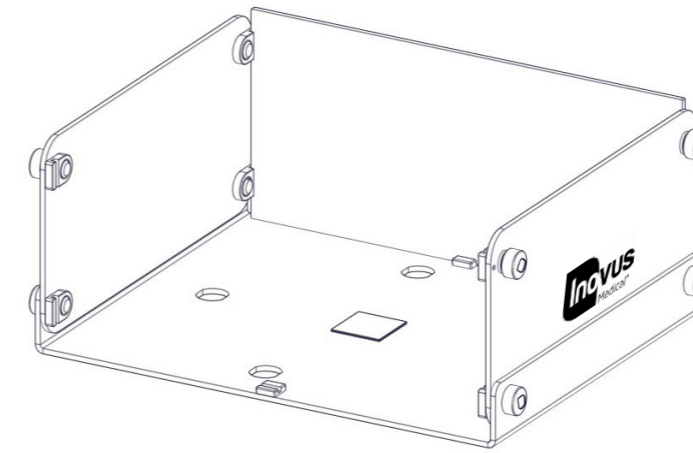
You will have received a link from us shortly after purchase. Follow the link to download the software platform that is required to run the LapAR.

This email also contains user account information such as an activation code and a link to your online portfolio. If you have not received a link please contact your Inovus Medical representative or email info@inovus.org

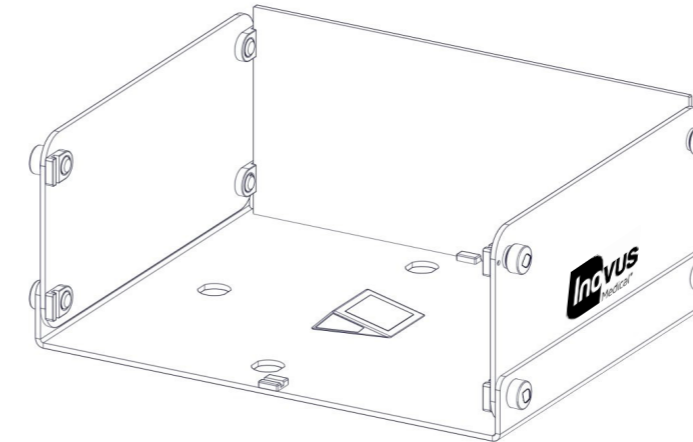
All other instructions are given inside the software.

Supporting products

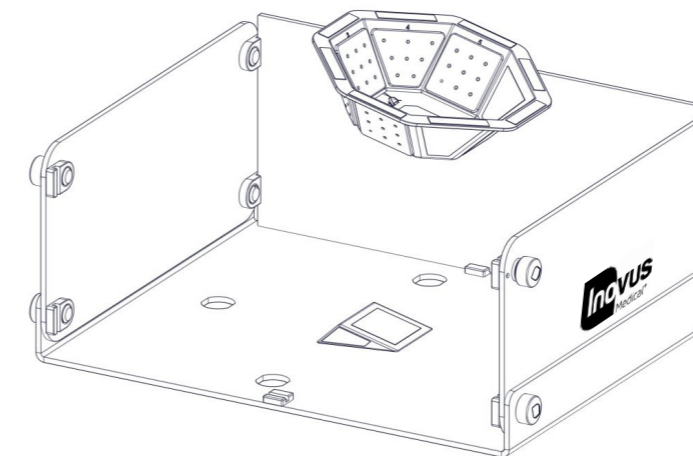
If you have purchased a LaparoBowl kit please follow the instructions below for securing it inside the box trainer.



22 | You will notice a velcro pad at the base of the box trainer.

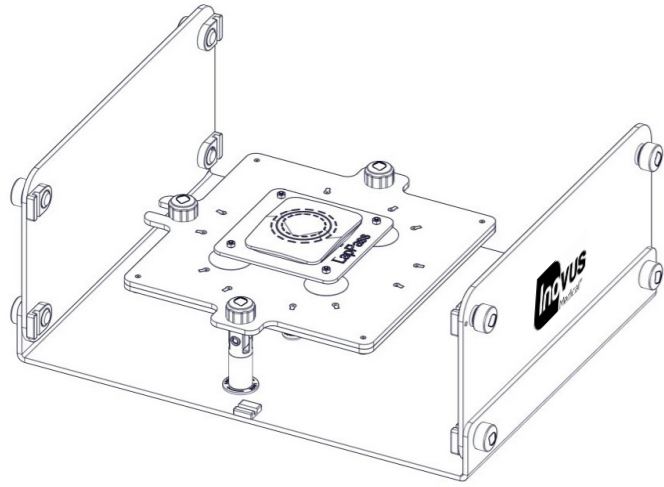


23 | Attach the wedge provided with your EMIGS LaparoBowl kit.



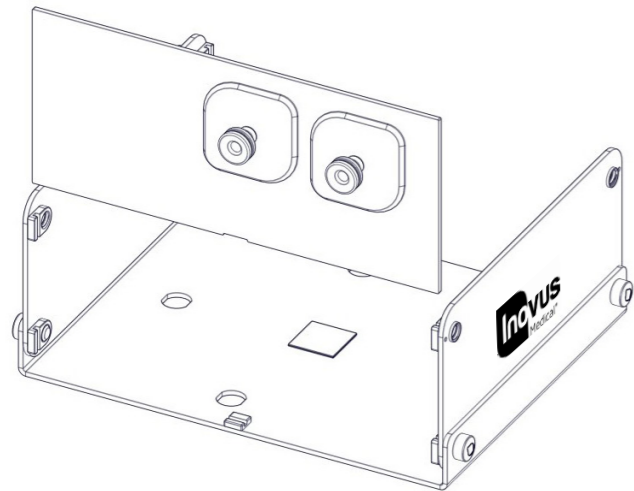
24 | Attach the LaparoBowl to the wedge secured on the base of the box trainer.

If you have purchased a LapPass kit please follow the instructions below for using it inside the box trainer.



- 25 | The model mounting jig can also be installed upside down to act as a platform for the LapPass kit.

Optional extras



- 26 | Optional side panels are available for purchase, should you wish to practice ipsilateral port suturing. To change the side panels see steps 6 - 8.

Once you have chosen the best solution for the procedural training you want to practice be sure that all the side panels and top of the box trainer are secured in place.



Surgical Training Remastered

Global Headquarters
St Helens, United Kingdom
E: info@inovus.org
T: +44 (0)1744 752 952
www.inovus.org

USA Headquarters
Tampa, Florida USA
E: info@inovus.org
T: 512 481 7691
www.inovus.org



All products contained in this catalogue are Copyright Inovus Ltd 2024
Full price list available on request: info@inovus.org