



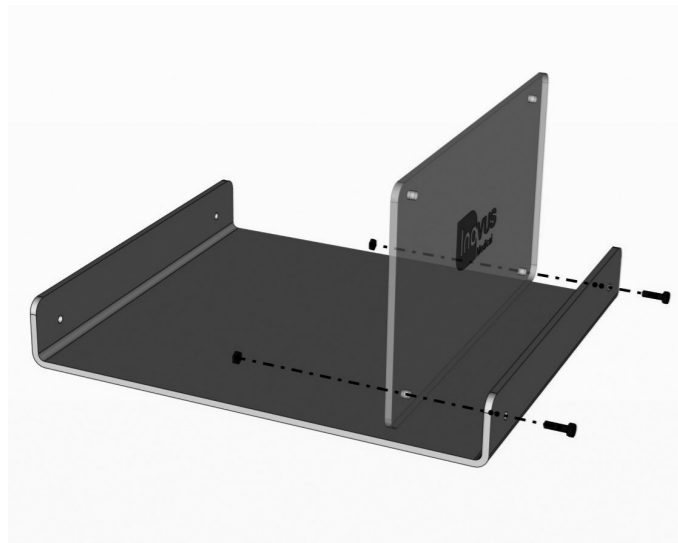
Accessible | Affordable | Functional



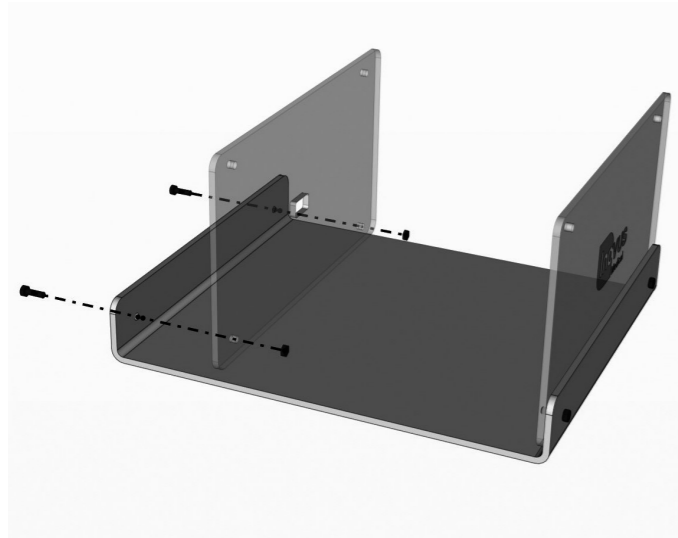
# Pyxus HD

## Setup Manual

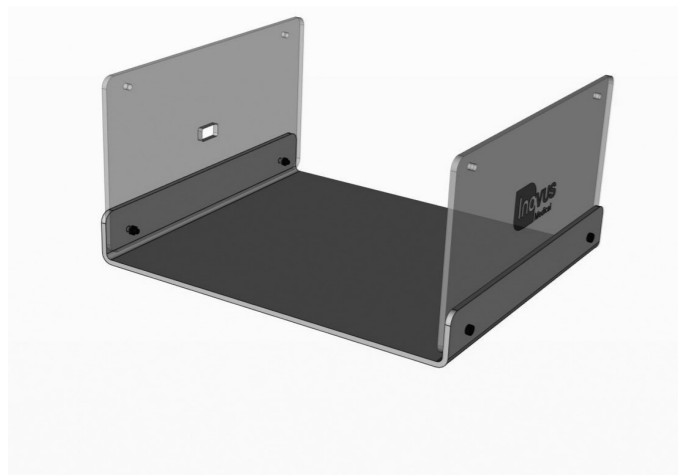
Product number: 00000916



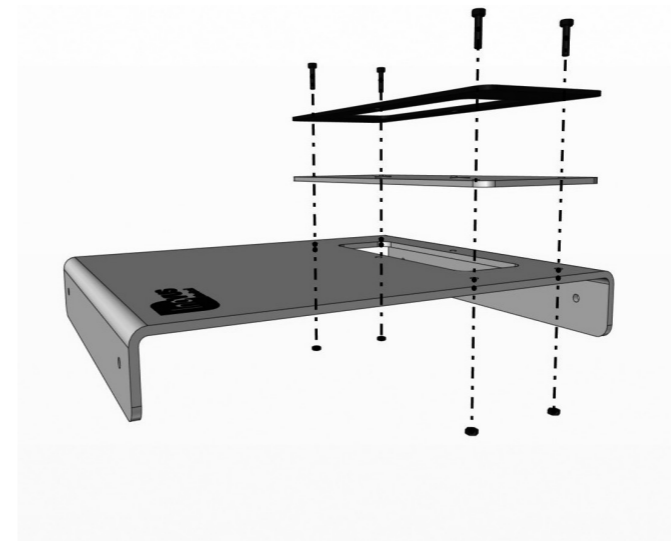
1 | Begin the assembly by taking out parts 00001213 and 00001212. Using 2 x 00000640 bolts and 2 x 00001159 nuts, screw the 00001212 panel into position as shown.



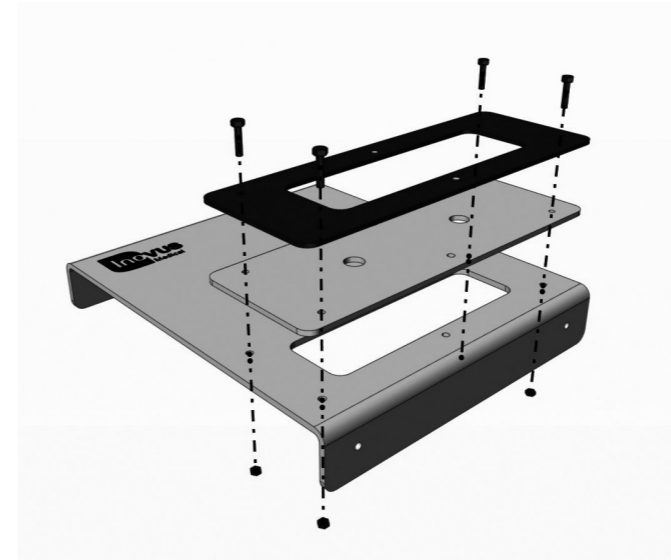
2 | Using 2 x 00000640 bolts and 2 x 00001159 nuts, secure the rear panel 00001458.



3 | Your simulator should now look like this, with both upright panels securely in position.



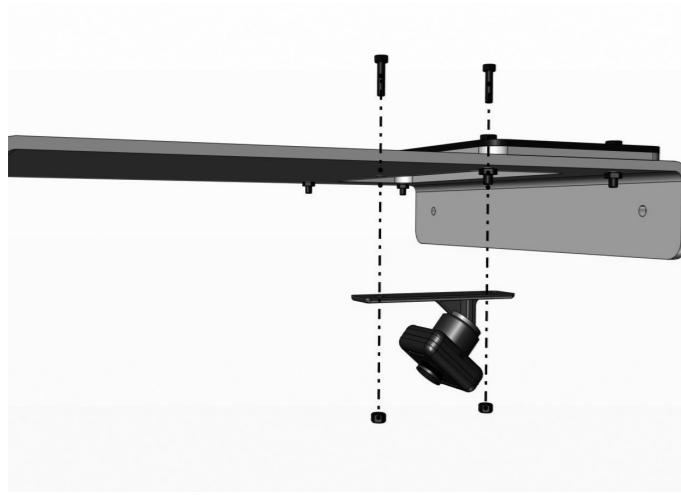
4 | You may now start the top sub-assembly. Taking parts numbered 00001204, 00000170 and using 00001204 and 00000171, secure as shown by using 4 x 00000640 bolts and 4 x 00001159 nuts.



5 | For the moment, leave the two centre holes free.



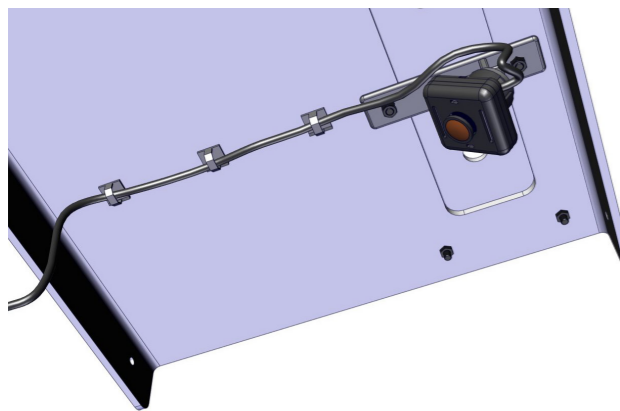
6 | You have now completed the 00001204 sub-assembly.



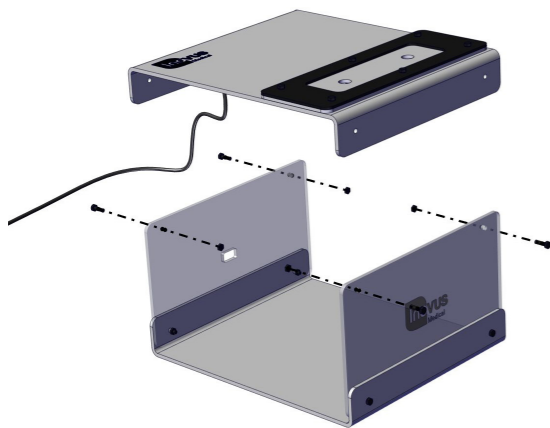
7 | Use the remaining 00000640 bolts and 2 x 00001159 nuts to secure the camera unit to the underside of TPB01.



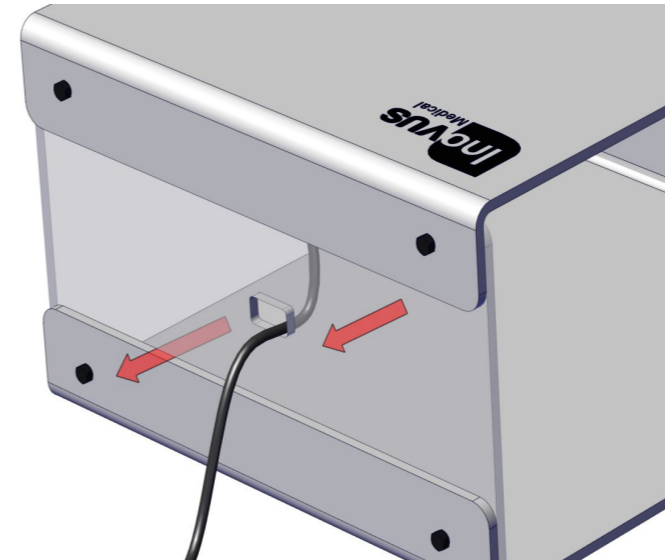
8 | Position the adhesive wire clips in line with the camera unit on the underside of TPB01.



9 | You may now run the wire as shown and clip it into position.



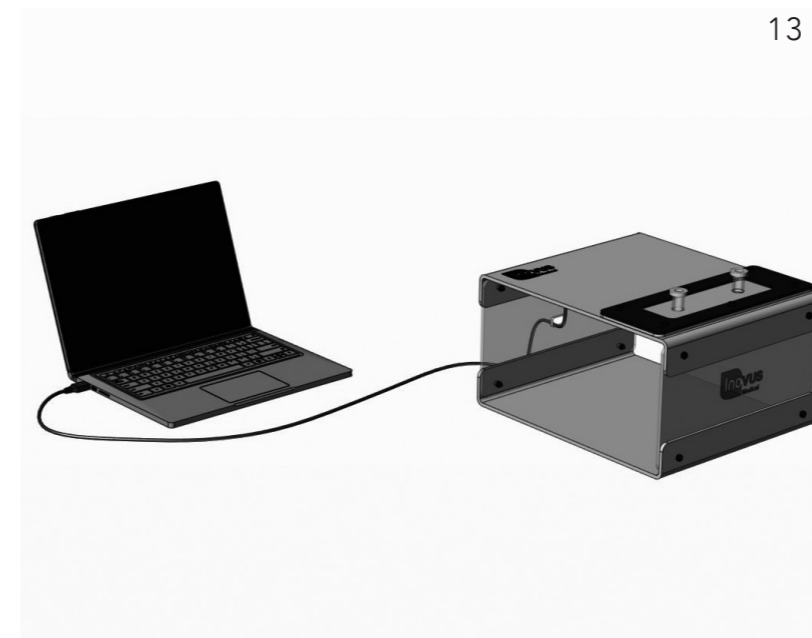
10 | Having already completed the 00001204 sub-assembly, you may now use 2 x 00000640 bolts & 2 x 00001159 nuts to secure it to the upright panels.



11 | Feed the USB cable through the aperture in the rear panel as shown.




12 | Connect the USB cable to your laptop or PC.



13 | The setup should now look similar to this image. The lights on the camera should now be illuminated.


## Windows 8/10:

---

To start using your simulator immediately without the need to download software you will need to navigate to the start menu and type "camera" > Click the camera icon or symbol > At this stage your computers default camera may open up, in the event that it does look for the following icon  > Click it to change the default camera to the simulator camera. Once completed you can now begin to operate.

## MAC OS X:

---

To start using your simulator immediately without the need to download software on your MAC you will need to click the search icon in the top right hand corner of the screen > Type Quick Time > Click the Quick Time icon > Once ready you should now have the Quick Time options appear in the top left hand corner of the desktop > Click File > New Movie Recording > At this stage the computers default camera may appear on screen > To swap the camera view to the simulator camera you must navigate to the record button > Click the down arrow the right of the button  > Select USB 2.0 Camera. Once completed you can now begin to operate.



## Surgical Training Remastered

---

Global Headquarters  
St Helens, United Kingdom  
E: [info@inovus.org](mailto:info@inovus.org)  
T: +44 (0)1744 752 952  
[www.inovus.org](http://www.inovus.org)

USA Headquarters  
Tampa, Florida USA  
E: [info@inovus.org](mailto:info@inovus.org)  
T: 512 481 7691  
[www.inovus.org](http://www.inovus.org)

